

# PIPE HANGER & SUPPORTS



# 2025



02 082 1182-3  
20 Soi Ratphatthana 29  
Saphansung, Bangkok  
Thailand

# VALVE



CRANE

[www.fed.co.th](http://www.fed.co.th)

# CONTENT

## Pipe Hanger Support (อุปกรณ์แขวนท่อ)

- Square Steel Clamp Support (ESC-1) 1
- Square Steel Clamp Support (ESC-2) 2
- Rectangular Steel Clamp Support (ERC-1) 3
- Rectangular Steel Clamp Support (ERC-2) 4
- Square Steel Clamp Support (FSC-1) 5
- Square Steel Clamp Support (FSC-2) 6
- Rectangular Steel Clamp Support (FRC-1) 7
- Rectangular Steel Clamp Support (FRC-2) 8
- Under Beam Clamp (UBC-1) 9
- Under Beam Clamp (UBC-2) 10
- Standard Adjustable Clevis Hanger 11
- Light-Duty Adjustable Clevis Hanger 12
- ECO Adjustable Clevis Hanger 12/1
- Strap U-Bolt 13
- Adjustable Band Hanger 14
- Standard U-Bolt 15
- Light-Duty U-Bolt 16
- Split Ring Hanger with Swivel Adjustable 17
- Two Screws Pipe Clamp 17-1
- Hanger with Swivel Adjustable 18
- OHM. Clamp 19
- Riser Clamp (RC-1) 20

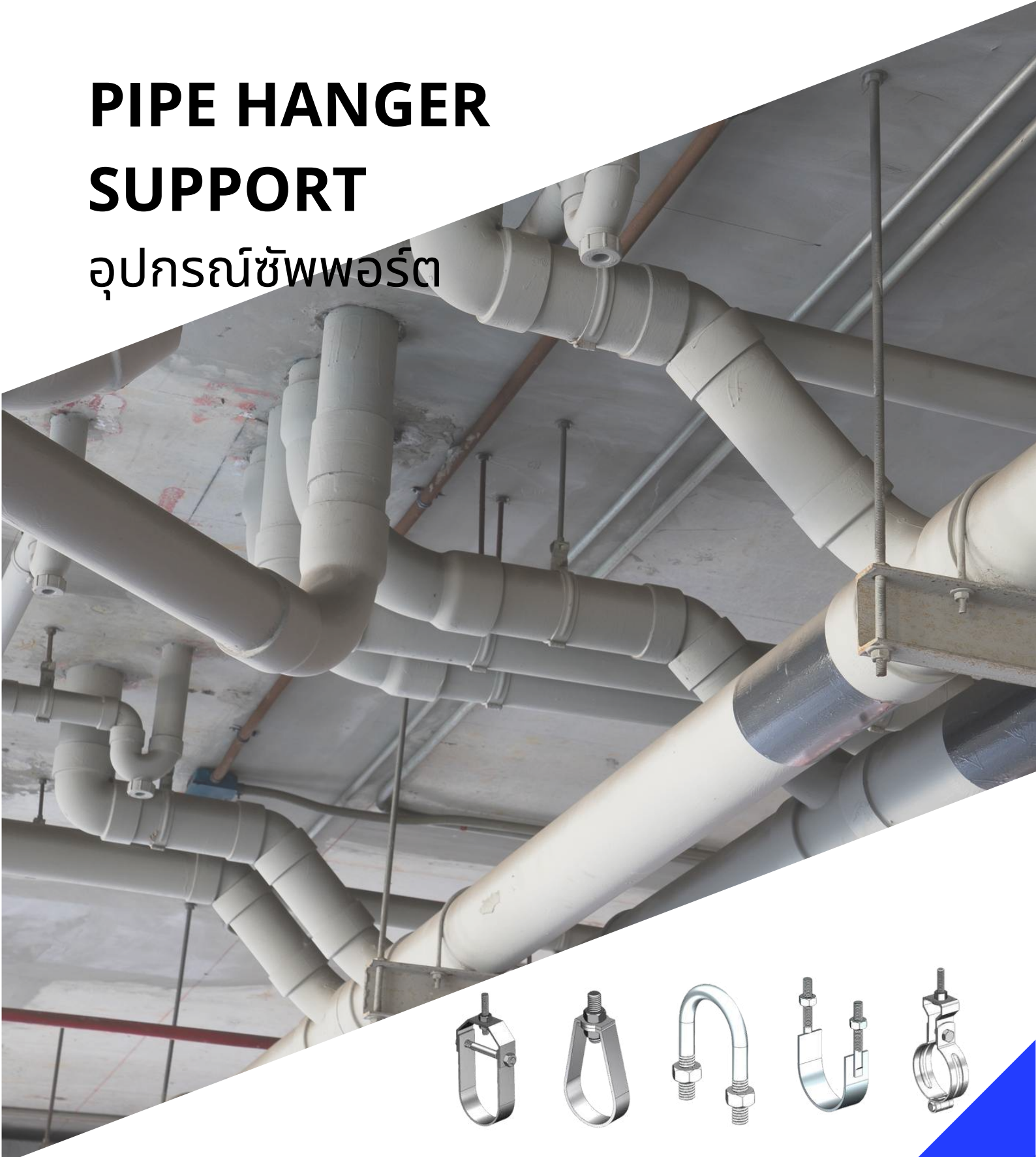
# CONTENT

## Pipe Hanger Support (อุปกรณ์แขวนท่อ)

• Riser Clamp (RC-2)	21
• Riser Clamp (RC-3)	22
• Riser Clamp (RC-4)	23
• Level Pipe Clamp (LPC-M / LPC-L)	24
• Flexible Duct Clamp	25
• PL-Clamp (PLC-1)	26
• PL-Clamp (PLC-2)	27
• Dragon Beam Clamp (BC-01)	28
• Beam Box Clamp (BC-02)	29
• Beam Box Clamp (BC-03)	30
• Beam Clamp (BC-04)	31
• Beam Clamp (BC-05)	32
• Multi Flange Beam Clamp (BC-06)	33
• Beam Clamp (BC-07)	34
• Beam Box Clamp (BC-08)	35
• Beam Clamp (F2)	36
• Beam Clamp (BC-201-SQ)	37
• Beam Clamp (BC-201-REC)	38
• Pipe Clamp (PC)	39

# PIPE HANGER SUPPORT

อุปกรณ์ซีพพอร์ต

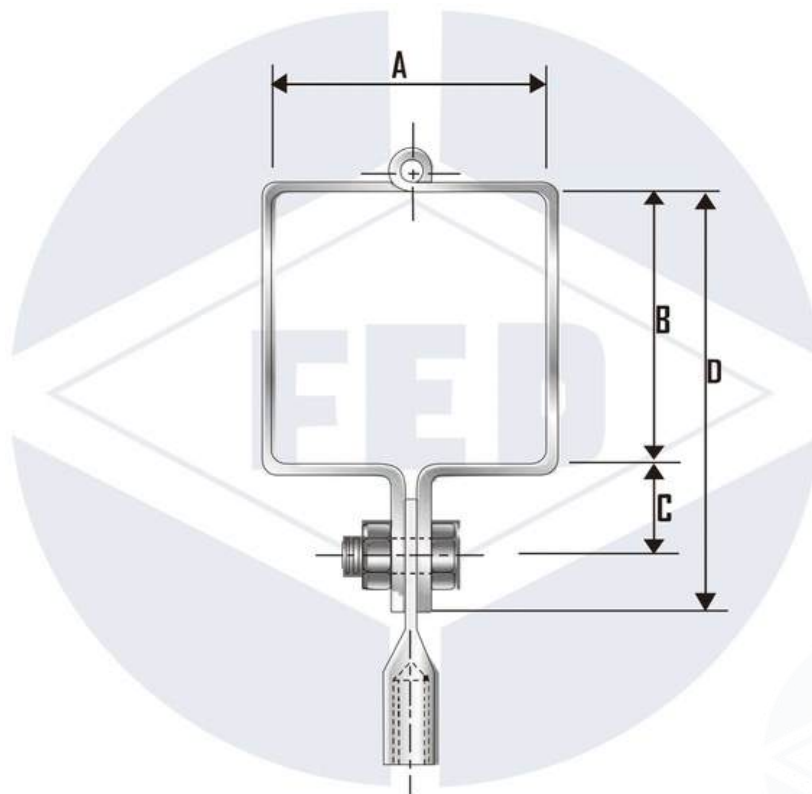


**FED ENTERPRISE CO., LTD.**

[www.fed.co.th](http://www.fed.co.th)



# Square Steel Clamp Support (ESC-1)



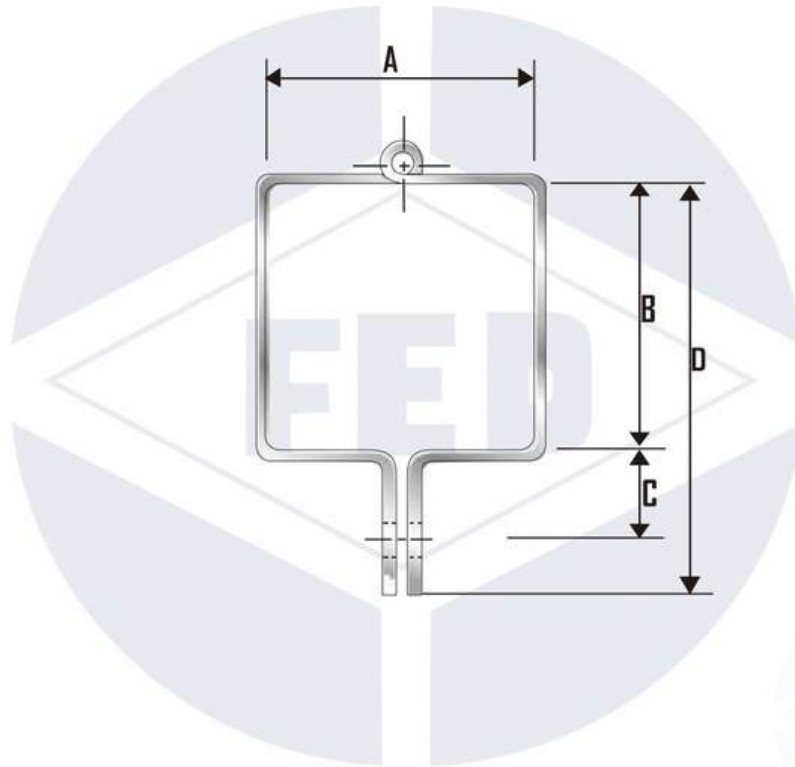
**Material :** Carbon Steel (SS400)

**Finish :** Paint, Electro Galvanized (Zinc), Hot Drip Galvanized (HDG)

NOMINAL SQUARE SIZE	A	B	C	D	STEEL SIZE
mm.	mm.	mm.	mm.	mm.	mm.
25 x 14	16	27	25	67	3 x 25
50 x 25	27	52	25	92	3 x 25
75 x 40	42	77	25	117	3 x 25
100 x 50	52	102	25	142	3 x 25
125 x 65	67	127	25	167	3 x 25
150 x 75	77	152	25	192	2.5 x 25
180 x 75	77	182	25	222	2.5 x 25
200 x 80	82	202	25	242	2.5 x 25
250 x 90	92	250	25	292	2.5 x 25
300 x 90	92	302	25	342	2.5 x 25



# Square Steel Clamp Support (ESC-2)



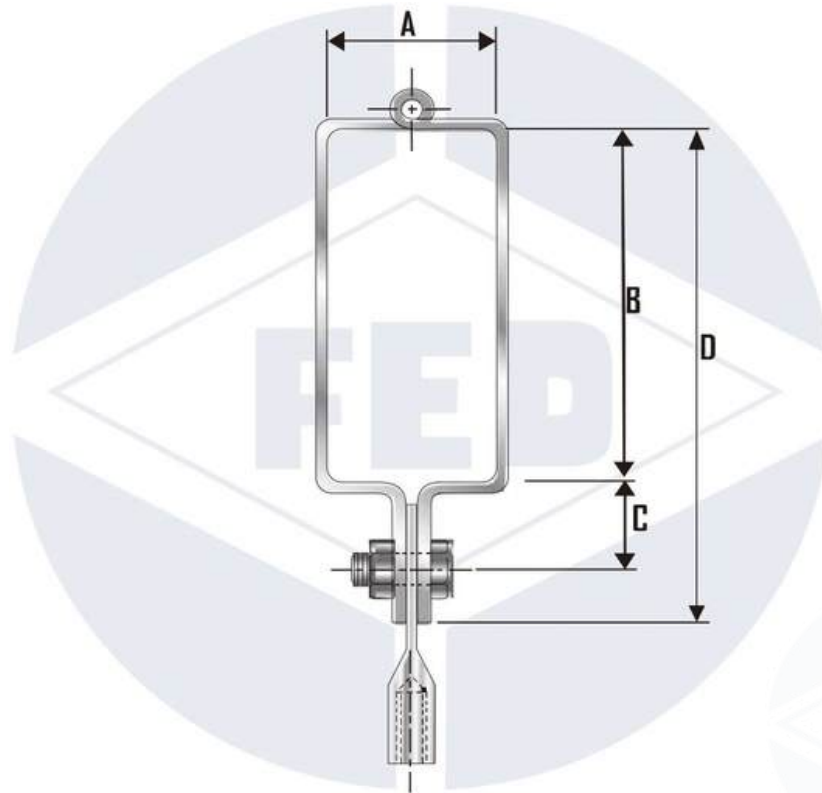
**Material :** Carbon Steel (SS400)

**Finish :** Paint, Electro Galvanized (Zinc), Hot Drip Galvanized (HDG)

NOMINAL SQUARE SIZE	A	B	C	D	STEEL SIZE
mm.	mm.	mm.	mm.	mm.	mm.
25 x 25	27	27	25	67	3 x 25
40 x 40	42	42	25	82	3 x 25
50 x 50	52	52	25	92	3 x 25
75 x 75	77	77	25	117	3 x 25
100 x 100	102	102	25	142	3 x 25
125 x 125	127	127	25	167	2.5 x 25
150 x 150	152	152	25	192	2.5 x 25
180 x 180	182	182	25	222	2.5 x 25
200 x 200	202	202	25	242	2.5 x 25
250 x 250	252	252	25	292	2.5 x 25



# Rectangular Steel Clamp Support (ERC-1)



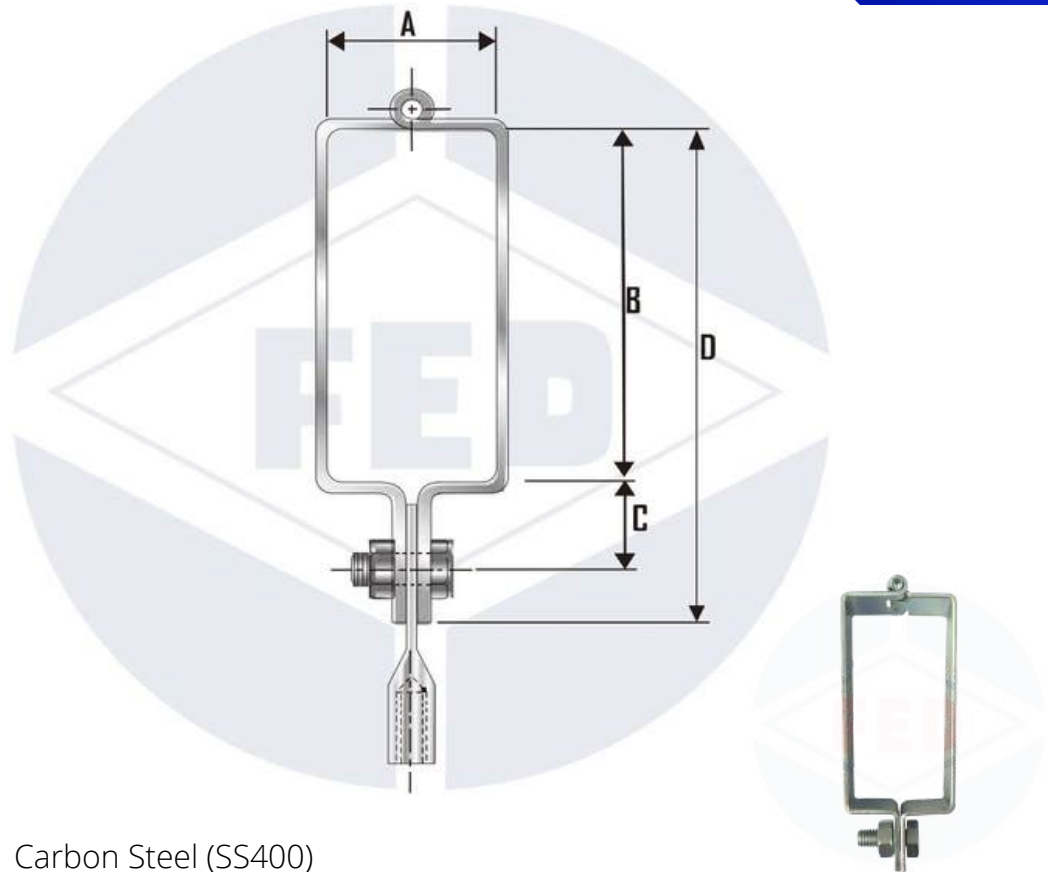
**Material :** Carbon Steel (SS400)

**Finish :** Paint, Electro Galvanized (Zinc), Hot Drip Galvanized (HDG)

NOMINAL SQUARE SIZE	A	B	C	D	STEEL SIZE
mm.	mm.	mm.	mm.	mm.	mm.
25 x 14	16	27	25	67	3 x 25
50 x 25	27	52	25	92	3 x 25
75 x 40	42	77	25	117	3 x 25
100 x 50	52	102	25	142	3 x 25
125 x 65	67	127	25	167	3 x 25
150 x 75	77	152	25	192	2.5 x 25
180 x 75	77	182	25	222	2.5 x 25
200 x 80	82	202	25	242	2.5 x 25
250 x 90	92	250	25	292	2.5 x 25
300 x 90	92	302	25	342	2.5 x 25



# Rectangular Steel Clamp Support (ERC-2)



**Material :** Carbon Steel (SS400)

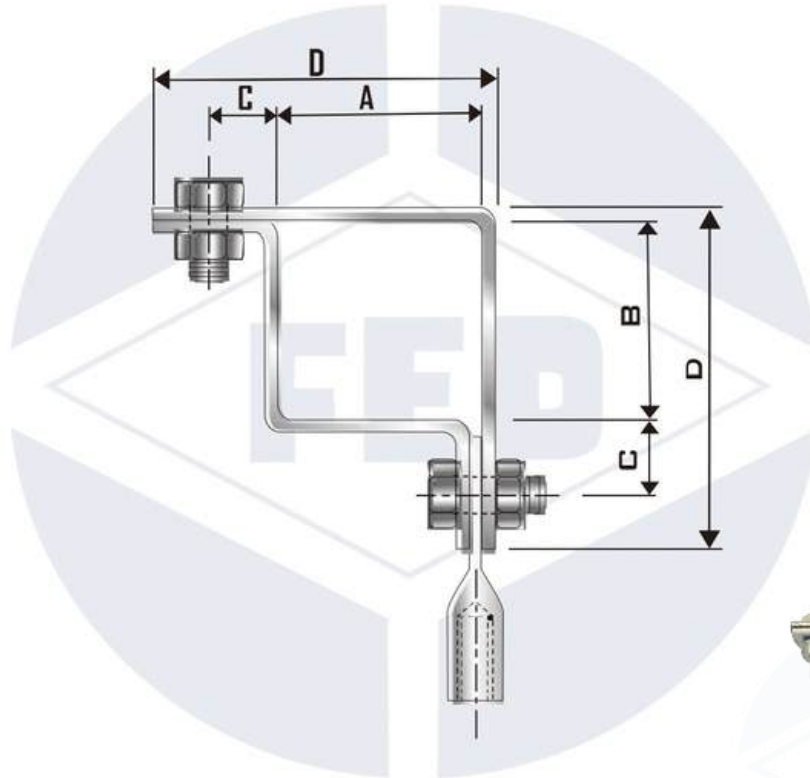
**Finish :** Paint, Electro Galvanized (Zinc), Hot Drip Galvanized (HDG)

NOMINAL SQUARE SIZE	A	B	C	D	STEEL SIZE
mm.	mm.	mm.	mm.	mm.	mm.
25 x 14	16	27	25	67	3 x 25
50 x 25	27	52	25	92	3 x 25
75 x 40	42	77	25	117	3 x 25
100 x 50	52	102	25	142	3 x 25
125 x 65	67	127	25	167	3 x 25
150 x 75	77	152	25	192	2.5 x 25
180 x 75	77	182	25	222	2.5 x 25
200 x 80	82	202	25	242	2.5 x 25
250 x 90	92	250	25	292	2.5 x 25
300 x 90	92	302	25	342	2.5 x 25





# Square Steel Clamp Support (FSC-1)



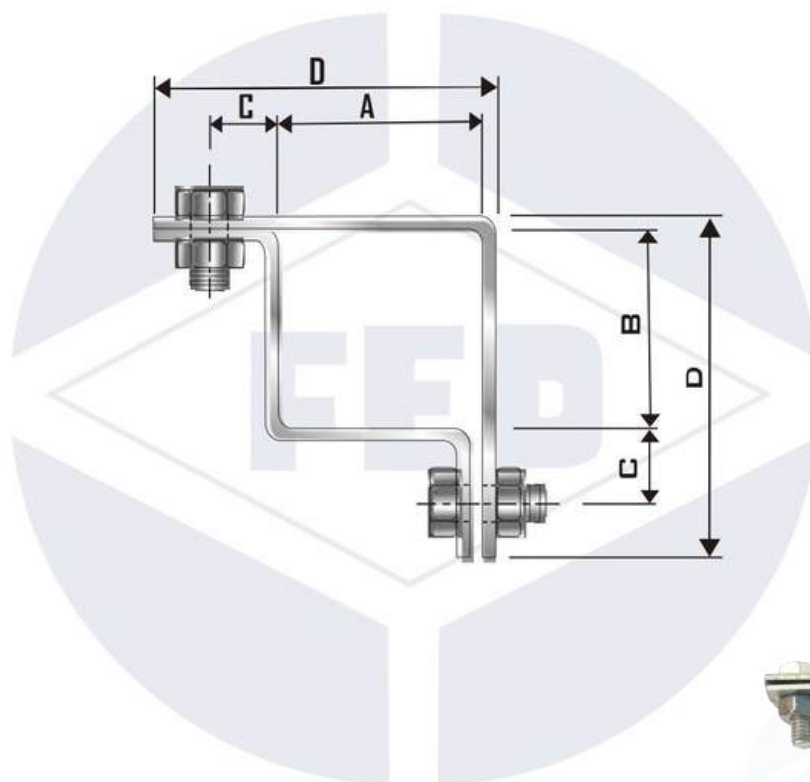
**Material :** Carbon Steel (SS400)

**Finish :** Paint, Electro Galvanized (Zinc), Hot Drip Galvanized (HDG)

NOMINAL SQUARE SIZE	A	B	C	D	STEEL SIZE
mm.	mm.	mm.	mm.	mm.	mm.
25 x 25	27	27	25	67	3x25
40 x 40	42	42	25	82	3x25
50 x 50	52	52	25	92	3x25
75 x 75	77	77	25	117	3x25
100 x 100	102	102	25	142	3x25
125 x 125	127	127	25	167	3x25
150 x 150	152	152	25	192	3x25
180 x 180	182	182	25	222	3x25
200 x 200	202	202	25	242	3x25
250 x 250	252	252	25	292	3x25



# Square Steel Clamp Support (FSC-2)



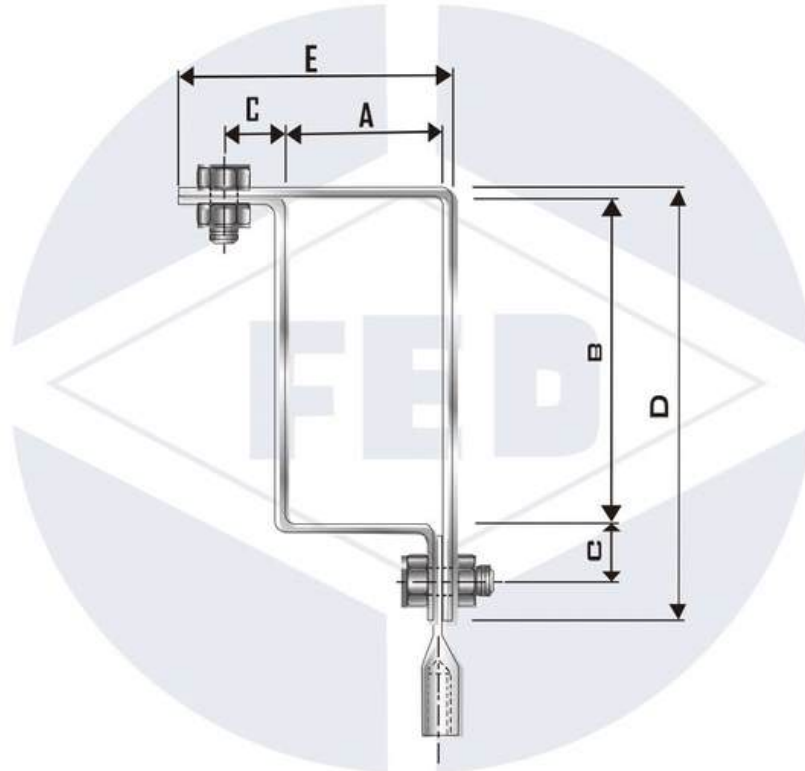
**Material :** Carbon Steel (SS400)

**Finish :** Paint, Electro Galvanized (Zinc), Hot Drip Galvanized (HDG)

NOMINAL SQUARE SIZE mm.	A mm.	B mm.	C mm.	D mm.	STEEL SIZE mm.
25 x 25	27	27	25	67	3x25
40 x 40	42	42	25	82	3x25
50 x 50	52	52	25	92	3x25
75 x 75	77	77	25	117	3x25
100 x 100	102	102	25	142	3x25
125 x 125	127	127	25	167	3x25
150 x 150	152	152	25	192	3x25
180 x 180	182	182	25	222	3x25
200 x 200	202	202	25	242	3x25
250 x 250	252	252	25	292	3x25



# Rectangular Steel Clamp Support (FRC-1)



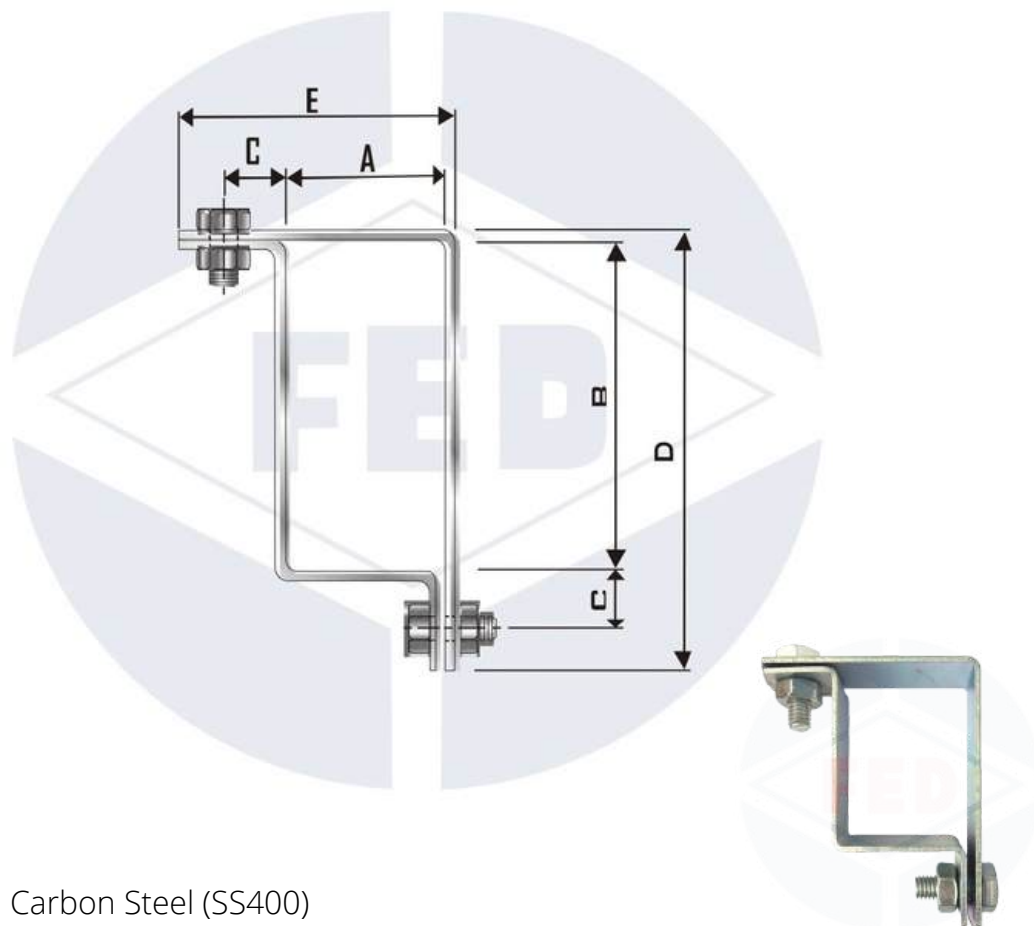
**Material :** Carbon Steel (SS400)

**Finish :** Paint, Electro Galvanized (Zinc), Hot Drip Galvanized (HDG)

NOMINAL SQUARE SIZE	A	B	C	D	E	STEEL SIZE
mm.	mm.	mm.	mm.	mm.	mm.	mm.
25 x 14	16	27	25	67	56	3x25
50 x 25	27	52	25	92	67	3x25
75 x 40	42	77	25	117	82	3x25
100 x 50	52	102	25	142	92	3x25
125 x 65	67	127	25	167	107	3x25
150 x 75	77	152	25	192	117	3x25
180 x 75	77	182	25	222	117	3x25
200 x 80	82	202	25	242	122	3x25
250 x 90	92	252	25	292	132	3x25
300 x 90	92	302	25	342	132	3x25



# Rectangular Steel Clamp Support (FRC-2)

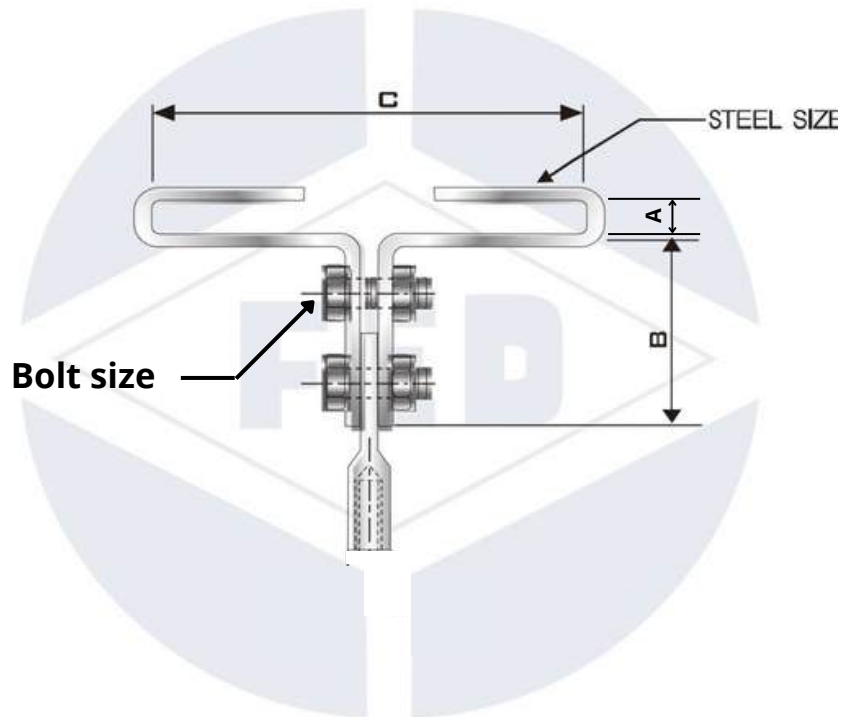


**Material :** Carbon Steel (SS400)

**Finish :** Paint, Electro Galvanized (Zinc), Hot Drip Galvanized (HDG)

NOMINAL SQUARE SIZE	A	B	C	D	E	STEEL SIZE
mm.	mm.	mm.	mm.	mm.	mm.	mm.
25 x 14	16	27	25	67	56	3x25
50 x 25	27	52	25	92	67	3x25
75 x 40	42	77	25	117	82	3x25
100 x 50	52	102	25	142	92	3x25
125 x 65	67	127	25	167	107	3x25
150 x 75	77	152	25	192	117	3x25
180 x 75	77	182	25	222	117	3x25
200 x 80	82	202	25	242	122	3x25
250 x 90	92	252	25	292	132	3x25
300 x 90	92	302	25	342	132	3x25

# Under Beam Clamp (UBC-1)



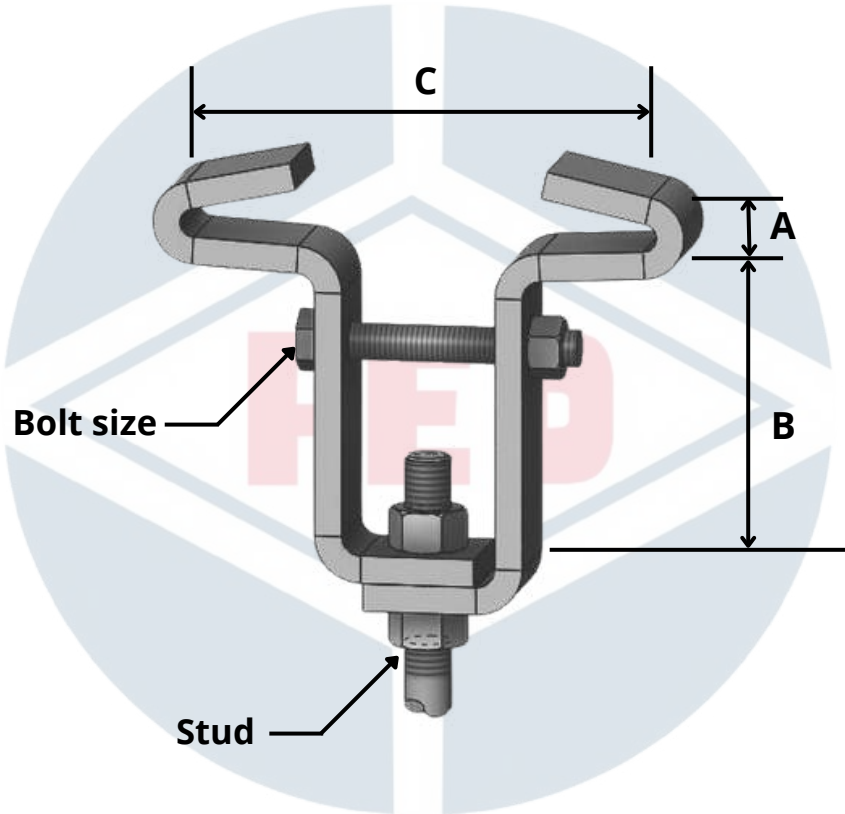
**Material** : Carbon Steel (SS400)

**Finish** : Paint, Electro Galvanized (Zinc), Hot Drip Galvanized (HDG)

FLANGE BEAM SIZE		STEEL SIZE	A	B	C	BOLT SIZE
Inch	mm.	mm.	mm.	mm.	mm.	inch
2	51	4x32	22	100	51	3/8
3	77	4x32	27	100	77	3/8
4	102	5x38	34	100	102	3/8
5	127	5x38	43	100	127	3/8
6	153	5x38	49	100	153	3/8
8	204	5x38	60	100	204	3/8



# Under Beam Clamp (UBC-2)

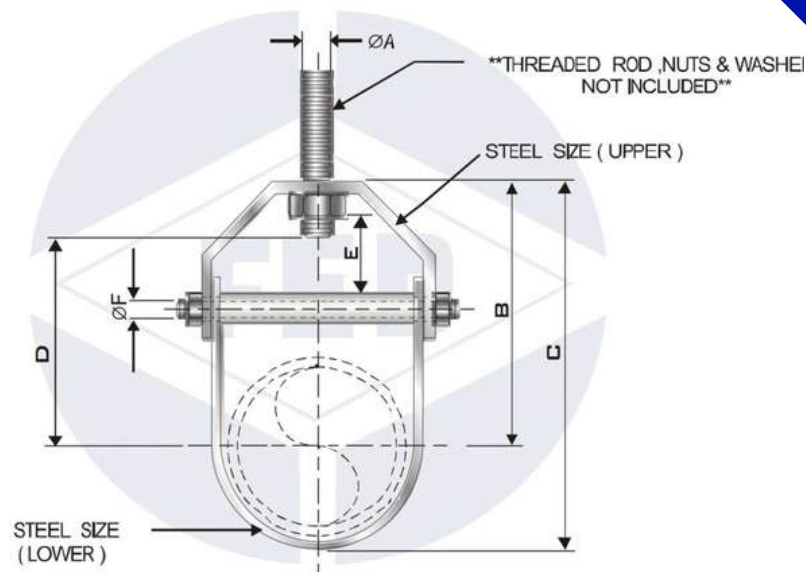


**Material :** Carbon Steel (SS400)

**Finish :** Paint, Electro Galvanized (Zinc), Hot Drip Galvanized (HDG)

FLANGE BEAM SIZE		STEEL SIZE	A	B	C	BOLT SIZE	STUD
Inch	mm.	mm.	mm.	mm.	mm.	inch	inch
2	15	5x38	22	100	51	3/8	3/8
3	20	5x38	27	100	77	3/8	3/8
4	25	5x38	34	100	102	3/8	3/8
5	32	5x38	43	100	127	3/8	3/8
6	40	5x38	49	100	153	3/8	1/2
8	50	5x38	60	100	204	3/8	1/2

# Standard Adjustable Clevis Hanger



**Material :** Carbon Steel (SS400), Stainless Steel (SUS304)

**Finish :** Paint, Electro Galvanized (Zinc), Hot Drip Galvanized (HDG)

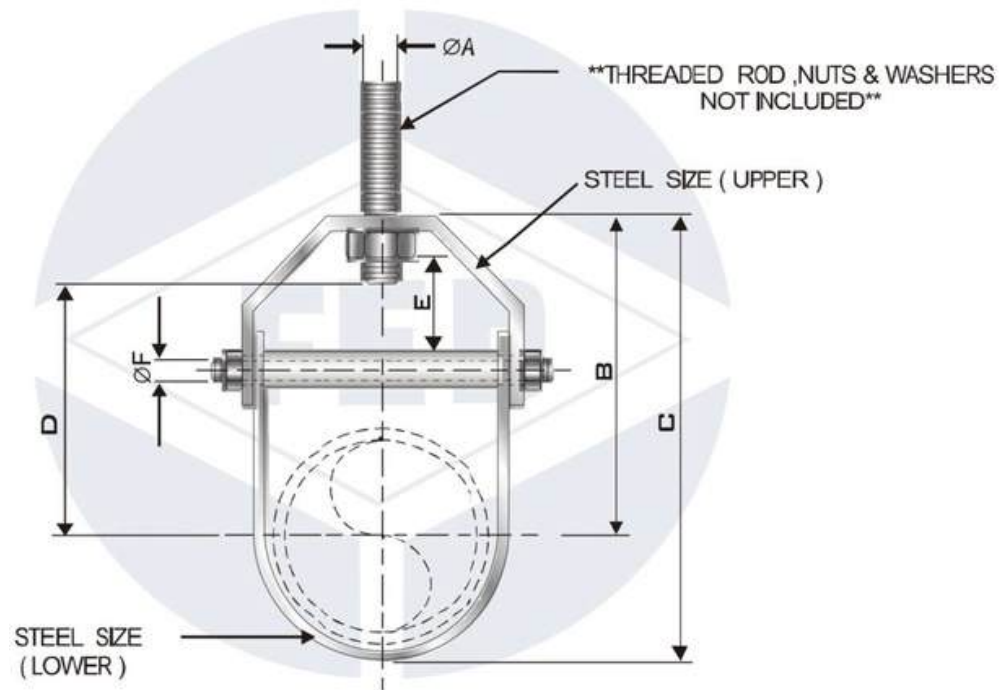
NOMINAL PIPE SIZE		STEEL SIZE		ROD SIZE (ØA)		B	C	D	E	ØF	Recommend Max Load
inch	mm.	Upper	Lower	inch	mm.	mm.	mm.	mm.	mm.	mm.	Kg.
1/2	15	3x25	3x25	3/8	9.5	42	55	22	10	6	1200
3/4	20	3x25	3x25	3/8	9.5	18	60	25	11	6	1200
1	25	3x25	3x25	3/8	9.5	52	70	30	15	6	1200
1 1/4	32	3x25	3x25	3/8	9.5	63	88	44	20	6	1200
1 1/2	40	3x25	3x25	3/8	9.5	77	101	58	27	6	1200
2	50	3x25	3x25	3/8	9.5	95	122	73	42	9	1200
2 1/2	65	5x32	5x32	1/2	12.7	124	160	97	44	9	2200
3	80	5x32	5x32	1/2	12.7	128	175	98	44	9	2200
4	100	6x32	5x32	5/8	15.9	147	210	114	44	9	2700
5	125	6x32	5x32	5/8	15.9	165	240	130	44	12	2700
6	150	6x38	5x38	3/4	19	185	278	142	47	12	3300
8	200	6x50	5x50	7/8	22.2	247	355	178	54	18	4500
10	250	9x50	6x50	7/8	22.2	290	430	212	57	19	4500
12	300	9x50	6x50	7/8	22.2	325	495	258	76	19	4500
14	350	9x50	6x50	1	25.4	390	575	275	76	22	4500
16	400	12x65	6x65	1	25.4	425	650	316	76	22	5000
18	450	12x65	6x65	1 1/8	28.6	454	690	354	95	29	5000
20	500	12x75	9x75	1 1/8	28.6	465	720	367	101	32	5000
24	600	15x75	9x75	1 1/4	31.7	498	810	444	108	32	5000
26	650	15x75	9x75	1 1/4	31.7	549	890	497	116	32	5000
28	700	15x75	9x75	1 1/4	31.7	760	1125	512	120	32	5000
30	750	15x75	9x75	1 1/4	31.7	797	1200	558	129	32	5000
32	800	15x75	9x75	1 1/4	31.7	870	1280	656	148	32	5000



FED ENTERPRISE CO., LTD.

20 Soi Rat Patthana 29, Rat Patthana, Saphan Sung, Bangkok 10240 Thailand Tel. 02 082 1182-3 www.fed.co.th

# Light-Duty Adjustable Clevis Hanger



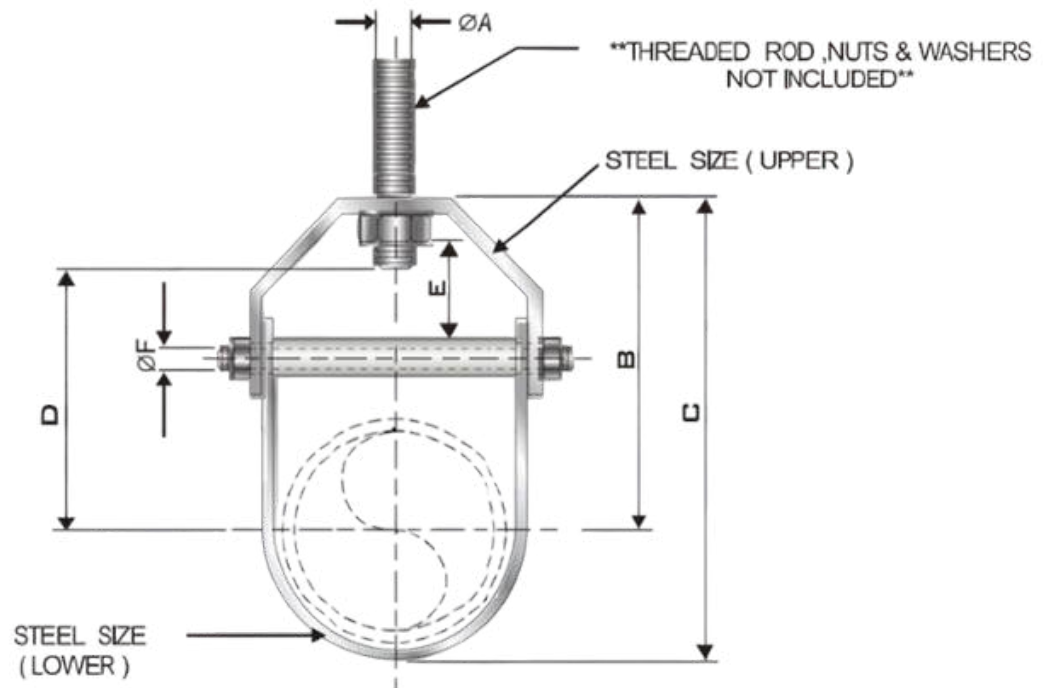
**Material :** Carbon Steel (SS400), Stainless Steel (SUS304)

**Finish :** Paint, Electro Galvanized (Zinc), Hot Drip Galvanized (HDG)

NOMINAL PIPE SIZE		STEEL SIZE		ROD SIZE (ØA)		B	C	D	E	ØF	Recommend Max Load
inch	mm.	Upper	Lower	inch	mm.	mm.	mm.	mm.	mm.	mm.	Kg.
1 1/2"	40	2.5x25	2x25	3/8	9.5	95	120	65	40	4	190
2"	50	2.5x25	2x25	3/8	9.5	105	140	75	42	6	190
2 1/2"	65	3x25	2.5x25	1/2	12.7	124	160	97	44	9	190
3"	80	3x32	2.5x32	1/2	12.7	128	175	98	44	9	350
4"	100	4x32	3x32	1/2	12.7	147	210	114	50	9	375
5"	125	5x32	4x32	5/8	15.9	165	240	130	44	12	445
6"	150	6x32	4x32	5/8	15.9	185	275	142	47	12	604
8"	200	6x38	5x38	5/8	15.9	247	355	178	54	12	636



# Light-Duty Adjustable Clevis Hanger



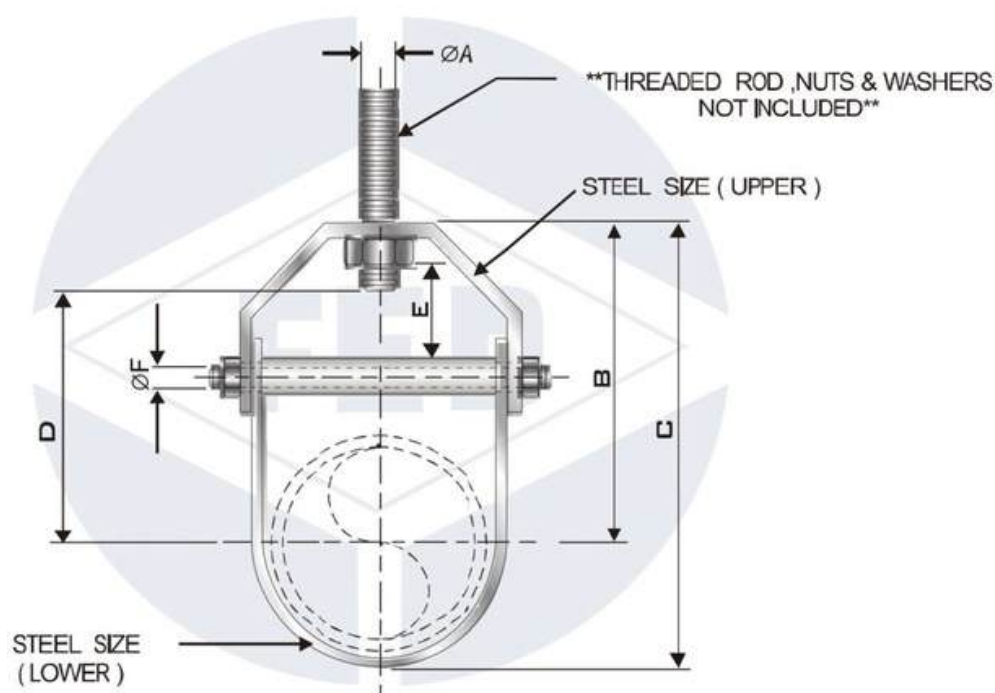
**Material :** Carbon Steel (SS400), Stainless Steel (SUS304)

**Finish :** Paint, Electro Galvanized (Zinc), Hot Drip Galvanized (HDG)

NOMINAL PIPE SIZE		STEEL SIZE		ROD SIZE (ØA)		B	C	D	E	ØF	Recommend Max Load
inch	mm.	Upper	Lower	inch	mm.	mm.	mm.	mm.	mm.	mm.	Kg.
1 1/2"	40	2.5x25	2x25	3/8	9.5	95	120	65	40	4	190
2"	50	2.5x25	2x25	3/8	9.5	105	140	75	42	6	190
2 1/2"	65	3x25	2.5x25	1/2	12.7	124	160	97	44	9	190
3"	80	3x32	2.5x32	1/2	12.7	128	175	98	44	9	350
4"	100	4x32	3x32	1/2	12.7	147	210	114	50	9	375
5"	125	5x32	4x32	5/8	15.9	165	240	130	44	12	445
6"	150	6x32	4x32	5/8	15.9	185	275	142	47	12	604
8"	200	6x38	5x38	5/8	15.9	247	355	178	54	12	636



# ECO Adjustable Clevis Hanger



**Material :** Carbon Steel (SS400), Stainless Steel (SUS304)

**Finish :** Paint, Electro Galvanized (Zinc), Hot Drip Galvanized (HDG)

NOMINAL PIPE SIZE		STEEL SIZE		ROD SIZE ( $\varnothing A$ )		B	C	D	E	$\varnothing F$	Recommend Max Load
inch	mm.	Upper	Lower	inch	mm.	mm.	mm.	mm.	mm.	mm.	Kg.
1 1/2"	40	2.5x25	2x25	3/8"	9.5	95	120	65	40	4	100
2"	50	2.5x25	2x25	3/8"	9.5	105	140	75	42	6	115
2 1/2"	65	2.5x25	2x25	3/8"	9.5	124	160	97	44	9	125
3"	80	2.5x32	2x32	3/8"	9.5	128	175	98	44	9	135
4"	100	3x32	2x32	3/8"	9.5	147	210	114	50	9	200
5"	125	4x32	3x32	1/2"	12.7	165	240	130	44	12	250
6"	150	4x32	3x32	1/2"	12.7	185	275	142	47	12	300
8"	200	5x38	3x38	1/2"	12.7	247	355	178	54	12	400

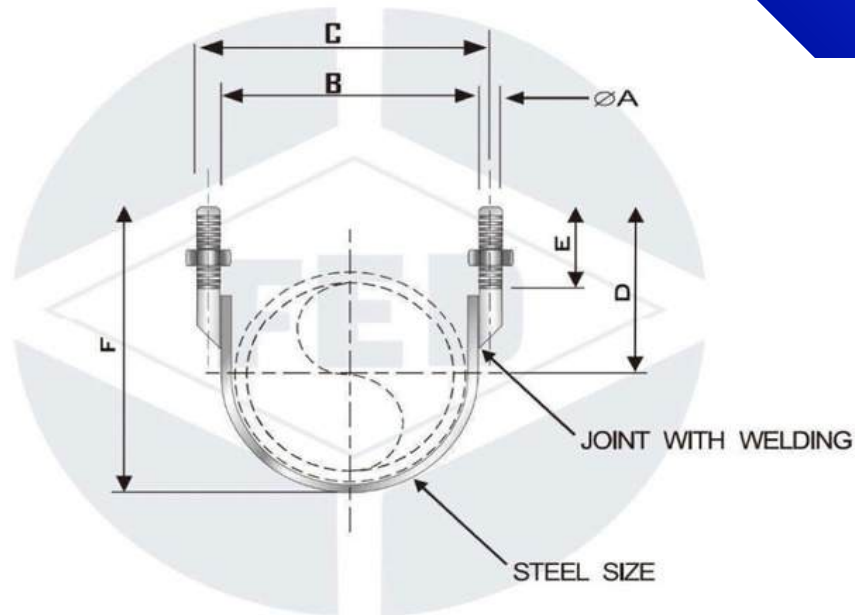


FED ENTERPRISE CO., LTD.

20 Soi Rat Patthana 29, Rat Patthana, Saphan Sung, Bangkok 10240 Thailand Tel. 02 082 1182-3 www.fed.co.th



# Strap U-Bolt



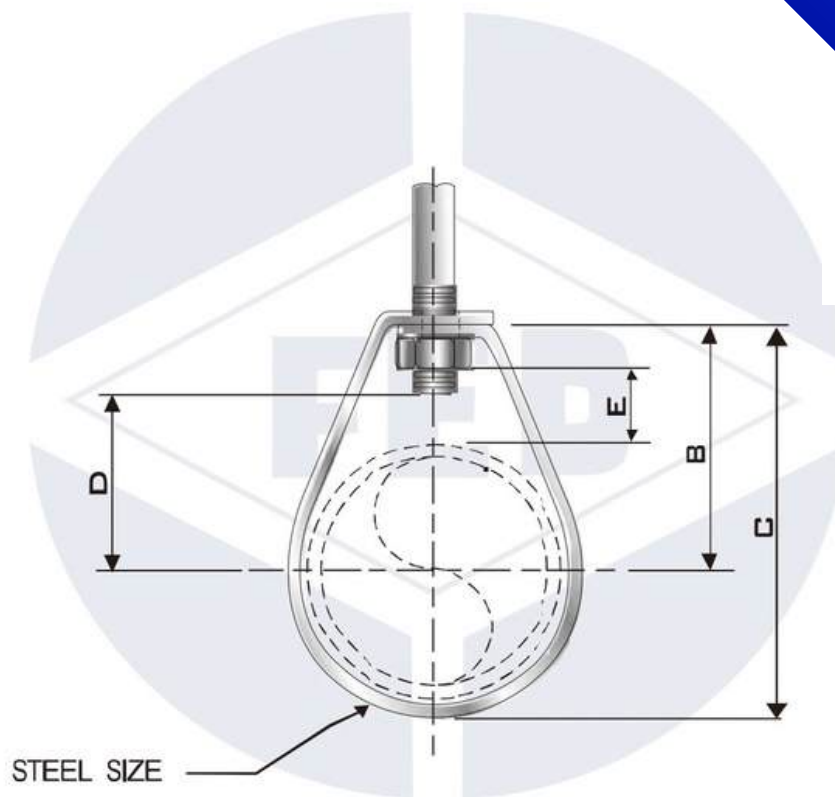
**Material :** Carbon Steel (SS400), Stainless Steel (SUS304)

**Finish :** Paint, Electro Galvanized (Zinc), Hot Drip Galvanized (HDG)

NOMINAL PIPE SIZE		STEEL SIZE	THREAD SIZE ( $\varnothing A$ )		B	C	D	E	F
Inch	mm.	mm.	Inch	mm.	mm.	mm.	mm.	mm.	mm.
2	50	3x25	3/8	9.5	64	80	75	48	110
2 1/2	65	3x25	3/8	9.5	80	93	80	55	122
3	80	3x32	3/8	9.5	94	110	90	57	140
4	100	4x32	1/2	12.7	118	140	95	35	157
5	125	4x32	1/2	12.7	150	170	130	75	205
6	150	5x38	5/8	15.9	180	201	140	75	230
8	200	5x50	5/8	15.9	222	252	185	90	303
10	250	5x50	3/4	19.0	274	310	215	105	357
12	300	5x50	7/8	22.2	324	364	240	105	408
14	350	5x50	7/8	22.2	364	398	260	130	448
16	400	6x65	7/8	22.2	416	450	290	130	504
18	450	6x65	7/8	22.2	466	503	300	130	539
20	500	6x65	1	25.4	520	563	341	150	610
22	550	9x65	1	25.4	570	613	380	150	674
24	600	9x65	1	25.4	622	665	407	150	727
26	650	9x65	1	25.4	676	713	466	150	801
28	700	9x65	1	25.4	730	772	450	170	824
30	750	9x75	1	25.4	794	819	510	165	907



# Adjustable Band Hanger



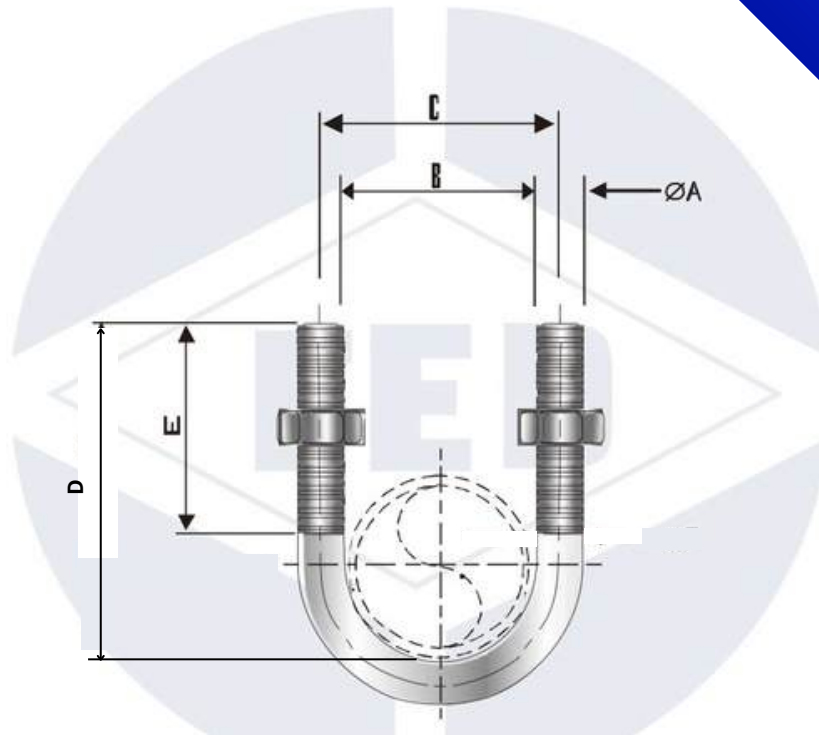
**Material :** Carbon Steel (SS400), Stainless Steel (SUS304)

**Finish :** Paint, Electro Galvanized (Zinc), Hot Drip Galvanized (HDG)

NOMINAL PIPE SIZE		STEEL SIZE	ROD SIZE (ØA)		B	C	D	E	Recommend Max Load	Recommend Span
inch	mm.	mm.	Inch	mm.	mm.	mm.	mm.	mm.	Kg.	m.
3/4	20	2x25	3/8	9.5	43	59	33	25	50	1.8
1	25	2x25	3/8	9.5	52	73	37	25	50	1.8
1 1/4	32	2x25	3/8	9.5	65	87	46	32	50	1.8
1 1/2	40	2x25	3/8	9.5	70	98	49	32	50	1.8
2	50	2x25	3/8	9.5	72	107	58	35	60	1.8
2 1/2	65	2.5x25	3/8	9.5	88	133	63	40	65	1.8
3	80	2.5x25	3/8	9.5	95	145	79	45	70	1.8
4	100	2.5x25	3/8	9.5	119	181	105	50	75	1.8
5	125	3x32	1/2	12.7	138	213	120	65	150	2.5
6	150	3x32	1/2	12.7	176	258	156	70	160	2.5
8	200	3x38	1/2	12.7	215	330	200	75	180	2.5



# Standard U-Bolt



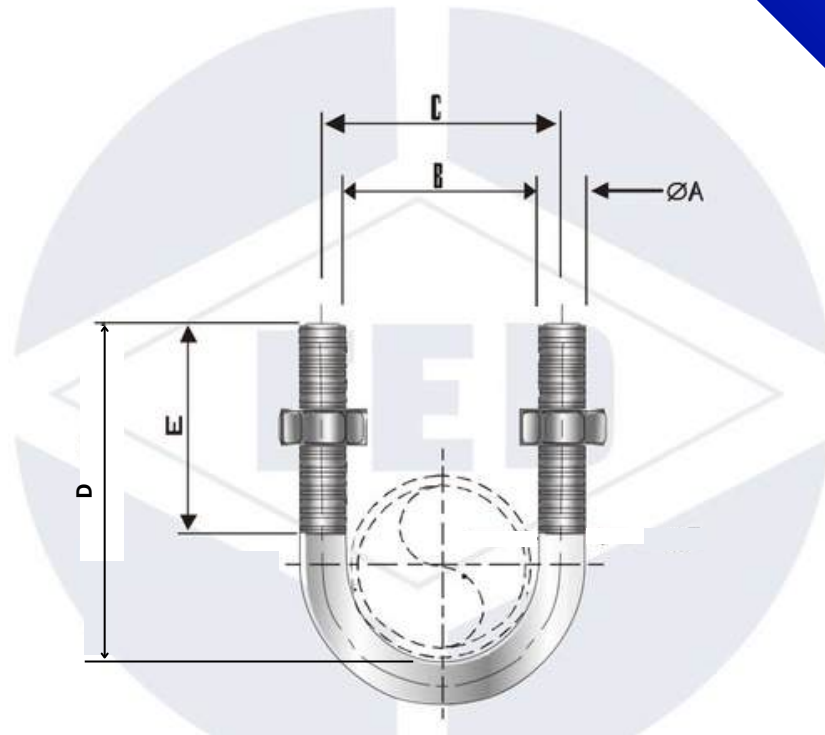
**Material :** Carbon Steel (SS400), Stainless Steel (SUS304)

**Finish :** Paint, Electro Galvanized (Zinc), Hot Drip Galvanized (HDG)

NOMINAL PIPE SIZE		THREAD SIZE (ØA)		B	C	D	E	Recommend Max. Load
inch	mm.	inch	mm.	mm.	mm.	mm.	mm.	Kg.
1/2	15	3/8	9.5	22	28.5	35	20	250
3/4	20	3/8	9.5	27	33.5	38	20	250
1	25	3/8	9.5	34	42.0	50	25	250
1 1/4	32	3/8	9.5	43	51.0	60	30	250
1 1/2	40	3/8	9.5	49	57.0	67	30	250
2	50	3/8	9.5	63	71.0	80	35	250
2 1/2	65	3/8	9.5	75	83.0	100	45	250
3	80	3/8	9.5	90	99.5	120	45	250
4	100	1/2	12.7	115	124.5	140	55	500
5	125	1/2	12.7	142	151.5	170	55	500
6	150	1/2	12.7	170	179.5	200	60	500
8	200	5/8	15.9	222	231.5	260	70	750
10	250	3/4	19.0	280	289.5	320	70	950
12	300	3/4	19.0	330	339.5	380	70	950



# Light-Duty U-Bolt



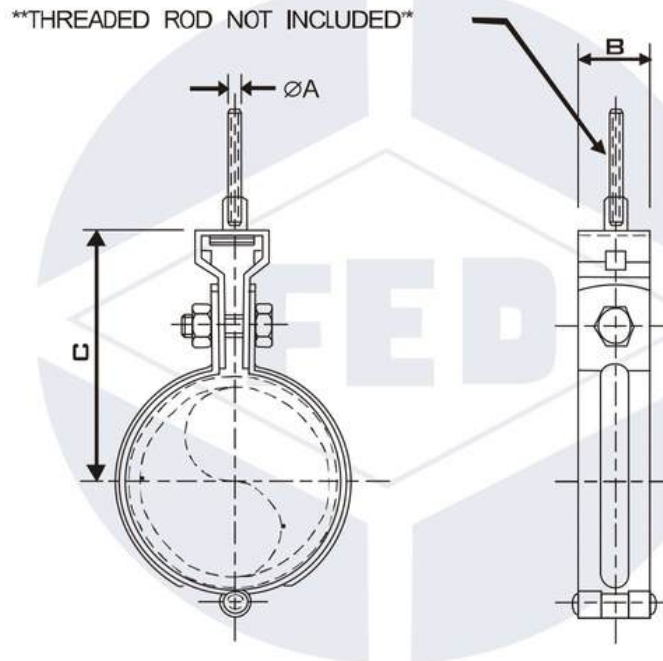
**Material :** Carbon Steel (SS400), Stainless Steel (SUS304)

**Finish :** Paint, Electro Galvanized (Zinc), Hot Drip Galvanized (HDG)

NOMINAL PIPE SIZE		THREAD SIZE (ØA)		B	C	D	E	Recommend Max. Load
inch	mm.	inch	mm.	mm.	mm.	mm.	mm.	Kg.
1/2	15	1/4	6.3	22	28.5	35	20	35
3/4	20	1/4	6.3	27	33.5	38	20	35
1	25	5/16	7.9	34	42.0	50	25	120
1 1/4	32	5/16	7.9	43	51.0	60	30	120
1 1/2	40	5/16	7.9	49	57.0	67	30	120
2	50	5/16	7.9	63	71.0	80	35	120
2 1/2	65	5/16	7.9	75	83.0	100	45	250
3	80	3/8	9.5	90	99.5	120	45	250
4	100	3/8	9.5	115	124.5	140	55	250
5	125	3/8	9.5	142	151.5	170	55	250
6	150	3/8	9.5	170	179.5	200	60	250
8	200	3/8	9.5	222	231.5	260	70	250
10	250	3/8	9.5	280	289.5	320	70	250
12	300	3/8	9.5	330	339.5	380	70	250



# Split Ring Hanger with Swivel Adjustable



**Material :** Carbon Steel (SS400), Stainless Steel (SUS304)

**Finish :** Paint, Electro Galvanized (Zinc), Hot Drip Galvanized (HDG)

**Applications :** For PPR, HDPE, PP, DIN. Standard

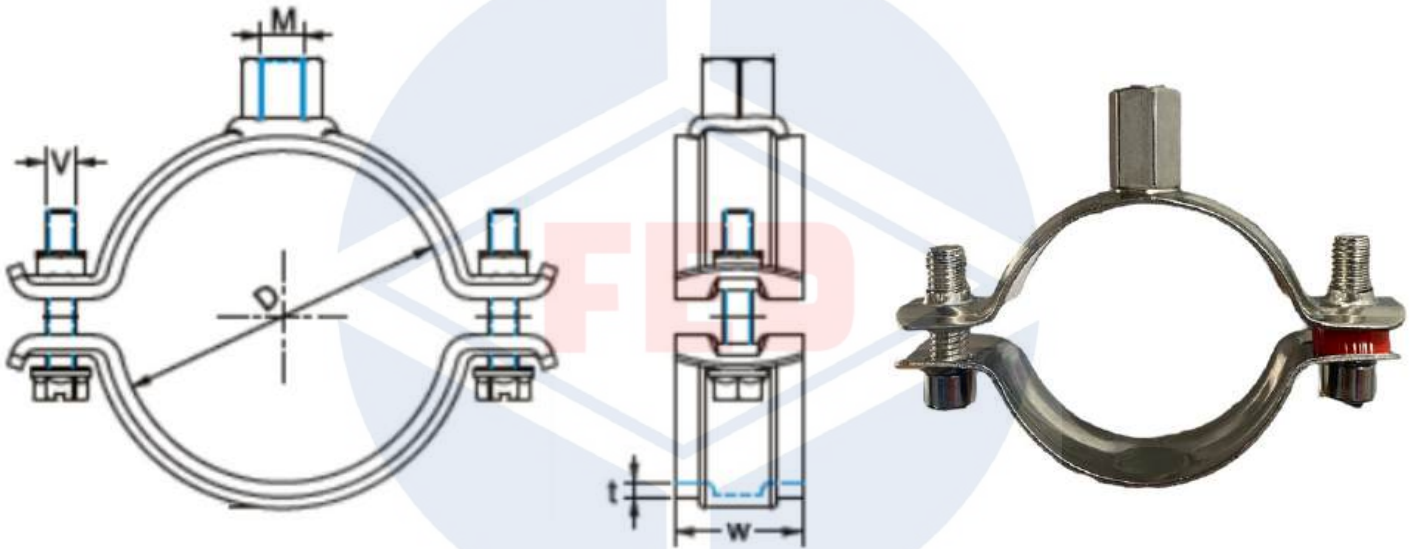
Nominal Pipe Size		ØA		B	C	Recommend Max Load	Weight
mm.	inch	inch	mm.	mm.	mm.	Kg.	gram
15	1/2"	3/8	9.5	25	68	50	100
20	3/4"	3/8	9.5	25	71	50	100
25	1"	3/8	9.5	25	74	50	110
32	1 1/4"	3/8	9.5	25	78	50	110
40	1 1/2"	3/8	9.5	25	81	60	115
50	2"	3/8	9.5	25	87	65	130
63		3/8	9.5	25	92	70	
65	2 1/2"	3/8	9.5	25	95	70	150
75		3/8	9.5	25	96	75	
80	3"	3/8	9.5	25	102	75	160
90		3/8	9.5	25	103	75	
100	4"	3/8	9.5	25	114	80	190
110		3/8	9.5	25	125	80	
125	5"	1/2	9.5	25	142	80	520
150	6"	1/2	12.7	32	153	160	570
160		1/2	12.7	32	163	160	
200	8"	5/8	15.9	38	180	180	1200





# Two Screws Pipe Clamp

## SUS 304



**Material :** Carbon Steel (SS400), Stainless Steel (SUS304)

**Finish :** Paint, Electro Galvanized (Zinc), Hot Drip Galvanized (HDG)

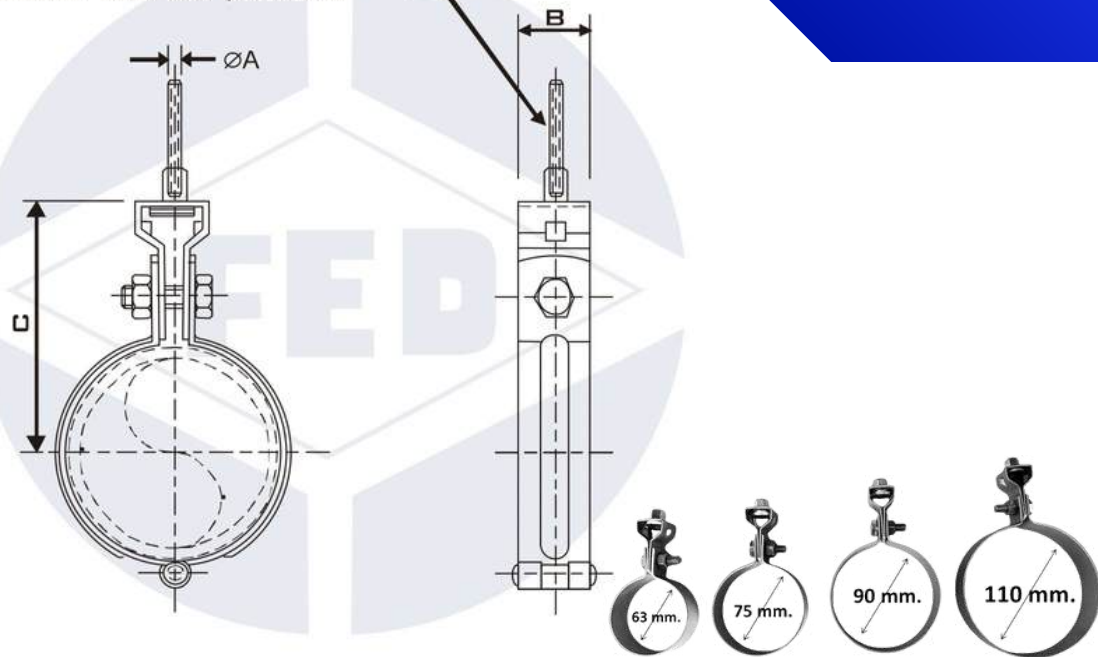
**Applications :** For PPR, HDPE, PP, DIN. Standard

NOMINAL PIPE SIZE	D	Connecting Thread	W x t	V
inch	mm.		mm.	mm.
1/2"	15-19	M8	25 x 1.5	M8 x 25
	19-22	M8	25 x 1.5	M8 x 25
3/4"	25-27	M8	25 x 1.5	M8 x 25
1"	32-34	M8	25 x 1.5	M8 x 25
1-1/4"	38-40	M8	25 x 1.5	M8 x 25
1-1/2"	45-48	M8	25 x 1.5	M8 x 25
	48-51	M8	25 x 1.5	M8 x 25
2"	51-57	M8	25 x 1.5	M8 x 25
	60-65	M8	25 x 1.5	M8 x 25
2-1/2"	70-76	M8	25 x 1.5	M8 x 25
3"	80-89	M8	25 x 1.5	M8 x 25
4"	102-108	M8	25 x 1.5	M8 x 25
	114-120	M8	25 x 1.5	M8 x 25



# Hanger with Swivel Adjustable

\*\*THREADED ROD NOT INCLUDED\*\*



**Material :** Carbon Steel (SS400), Stainless Steel (SUS304)

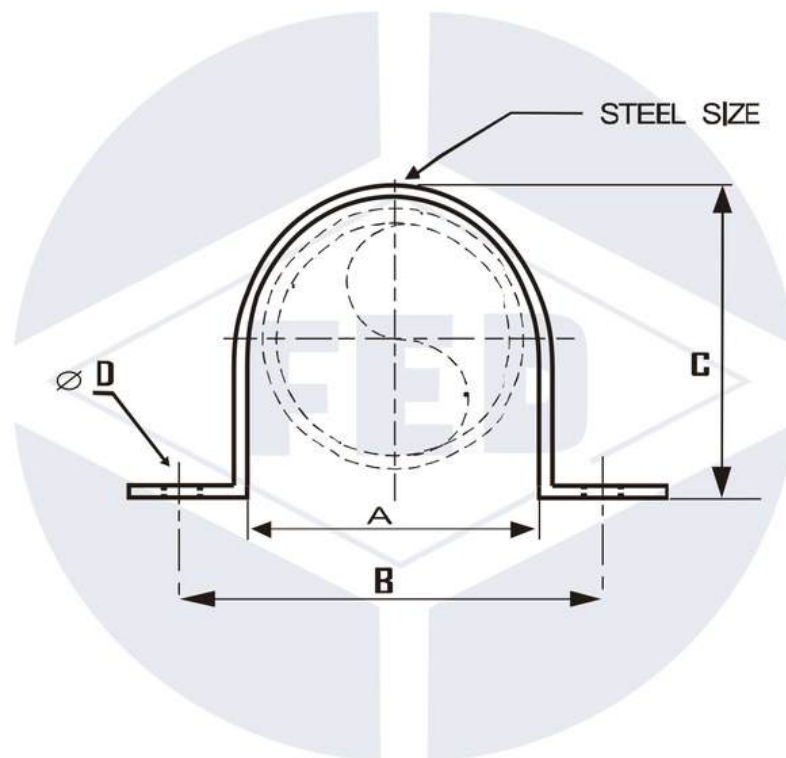
**Finish :** Paint, Electro Galvanized (Zinc), Hot Drip Galvanized (HDG)

**Applications :** For PPR, HDPE, PP, DIN. Standard

NORMIMAL PIPE SIZE		PN 10	PN 20
mm.	inch		
20	½"	0.115	0.172
25	¾"	0.164	0.266
32	1"	0.267	0.434
40	1 ¼"	0.412	0.671
50	1 ½"	0.638	1.050
63	2"	1.010	1.650
75	2 ½"	1.420	2.340
90	3"	2.030	3.360
110	4"	3.010	5.040



# OHM. Clamp

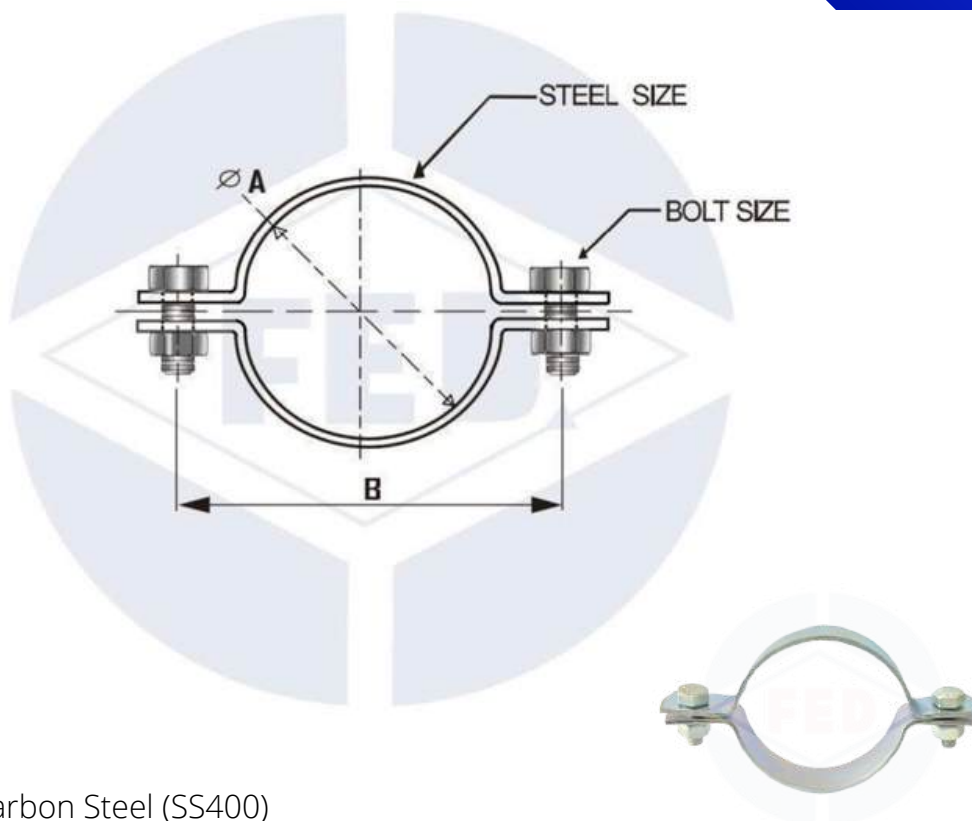


**Material :** Carbon Steel (SS400), Stainless Steel (SUS304)

**Finish :** Paint, Electro Galvanized (Zinc), Hot Drip Galvanized (HDG)

NOMINAL PIPE SIZE		STEEL SIZE	A	B	C	∅D
Inch	mm.	mm.	mm.	mm.	mm.	mm.
1/2	15	2x25	22	48	22	10
3/4	20	2x25	28	54	28	10
1	25	2x25	35	66	35	10
1 1/4	32	2x25	44	75	44	10
1 1/2	40	2x25	50	81	50	10
2	50	2.5x25	64	104	64	10
2 1/2	65	2.5x25	80	120	80	10
3	80	2.5x25	90	130	90	10
4	100	2.5x25	118	163	120	10
5	125	3x32	144	194	144	12
6	150	3x32	170	230	172	12
8	200	3x32	222	282	224	15

# Riser Clamp (RC-1)



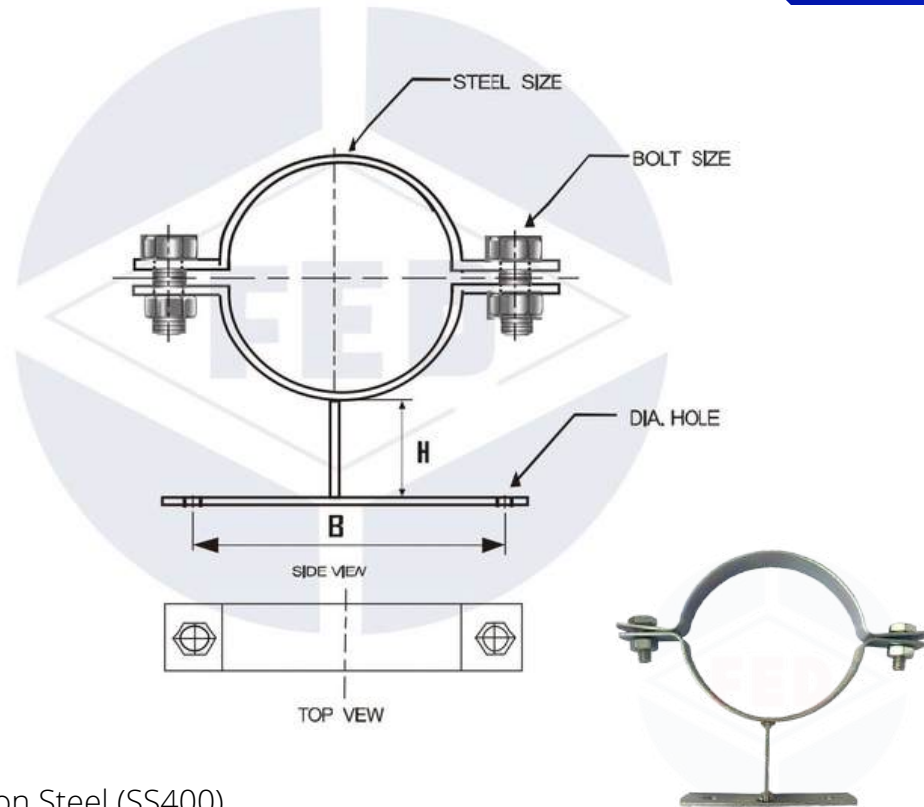
**Material :** Carbon Steel (SS400)

**Finish :** Paint, Electro Galvanized (Zinc), Hot Drip Galvanized (HDG)

NOMINAL PIPE SIZE		STEEL SIZE	BOLT SIZE		ØA	B
inch	mm.	mm.	inch	mm.	mm.	mm.
1/2	15	2x25	5/16	9	22	52
3/4	20	2x25	5/16	9	27	57
1	25	2x25	3/8	10	34	65
1 1/4	32	2x25	3/8	10	43	78
1 1/2	40	2x25	3/8	10	49	86
2	50	2.5x25	3/8	10	61	96
2 1/2	65	2.5x25	3/8	10	76	116
3	80	2.5x25	3/8	10	89	135
4	100	2.5x25	3/8	10	114	162
5	125	3x32	1/2	14	140	194
6	150	3x32	1/2	14	169	225
8	200	3x32	1/2	14	220	278



# Riser Clamp (RC-2)



**Material :** Carbon Steel (SS400)

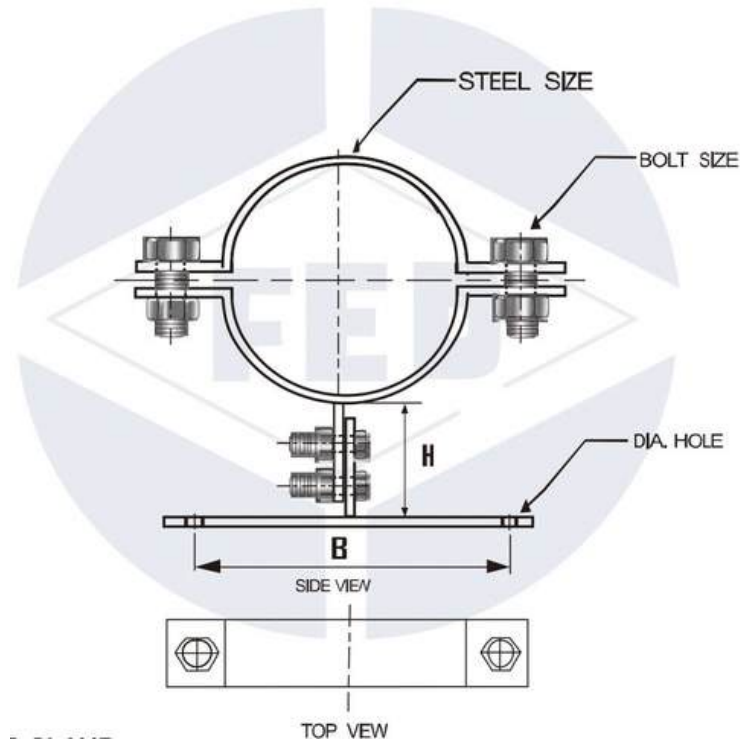
**Finish :** Paint, Electro Galvanized (Zinc), Hot Drip Galvanized (HDG)

NOMINAL PIPE SIZE		STEEL SIZE	BOLT SIZE		B	H
Inch	mm.	mm.	Inch	mm.	mm.	mm.
1/2	15	2x25	5/16	9	40	Order
3/4	20	2x25	5/16	9	40	Order
1	25	2x25	3/8	10	40	Order
1 1/4	32	2x25	3/8	10	40	Order
1 1/2	40	2x25	3/8	10	40	Order
2	50	2.5x25	3/8	10	60	Order
2 1/2	65	2.5x25	3/8	10	60	Order
3	80	2.5x25	3/8	10	75	Order
4	100	2.5x25	3/8	10	75	Order
5	125	3x32	1/2	14	75	Order
6	150	3x32	1/2	14	100	Order
8	200	3x32	1/2	14	100	Order





# Riser Clamp (RC-3)



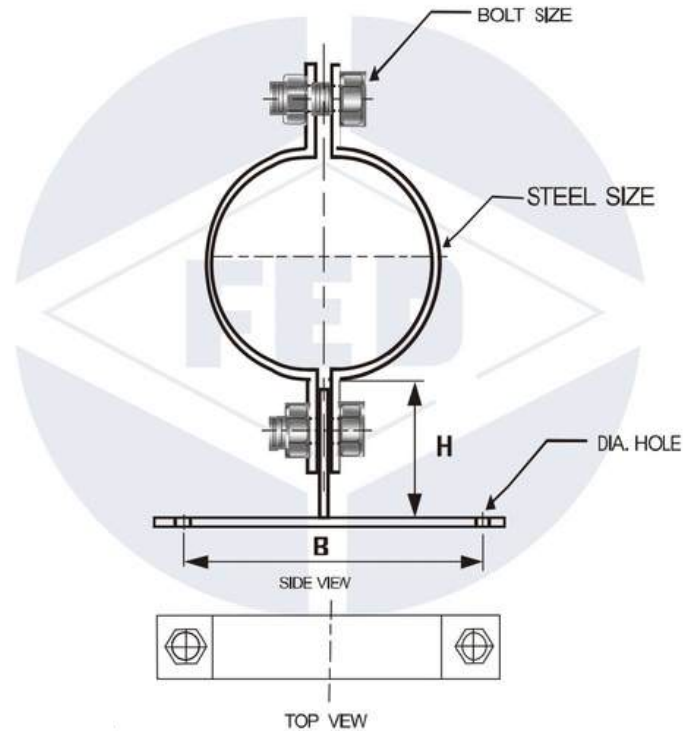
**Material :** Carbon Steel (SS400)

**Finish :** Paint, Electro Galvanized (Zinc), Hot Drip Galvanized (HDG)

NOMINAL PIPE SIZE		STEEL SIZE	BOLT SIZE		B	H
Inch	mm.	mm.	Inch	mm.	mm.	mm.
1/2	15	2x25	5/16	9	40	Order
3/4	20	2x25	5/16	9	40	Order
1	25	2x25	3/8	10	40	Order
1 1/4	32	2x25	3/8	10	40	Order
1 1/2	40	2x25	3/8	10	40	Order
2	50	2.5x25	3/8	10	60	Order
2 1/2	65	2.5x25	3/8	10	60	Order
3	80	2.5x25	3/8	10	75	Order
4	100	2.5x25	3/8	10	75	Order
5	125	3x32	1/2	14	75	Order
6	150	3x32	1/2	14	100	Order
8	200	3x32	1/2	14	100	Order



# Riser Clamp (RC-4)

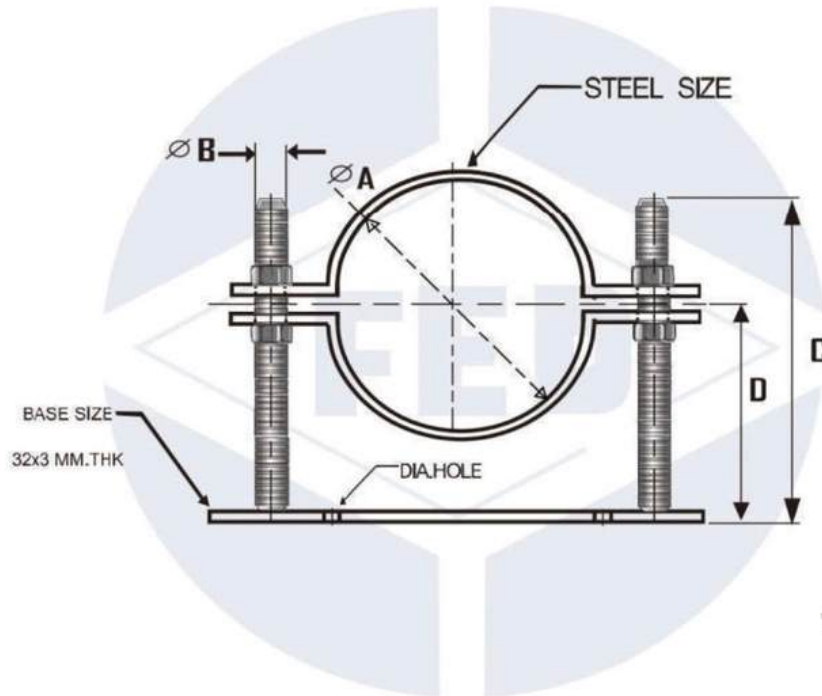


**Material :** Carbon Steel (SS400)

**Finish :** Paint, Electro Galvanized (Zinc), Hot Drip Galvanized (HDG)

NOMINAL PIPE SIZE		STEEL SIZE	BOLT SIZE		B	H
Inch	mm.	mm.	Inch	mm.	mm.	mm.
1/2	15	2x25	5/16	9	40	Order
3/4	20	2x25	5/16	9	40	Order
1	25	2x25	3/8	10	40	Order
1 1/4	32	2x25	3/8	10	40	Order
1 1/2	40	2x25	3/8	10	40	Order
2	50	2.5x25	3/8	10	60	Order
2 1/2	65	2.5x25	3/8	10	60	Order
3	80	2.5x25	3/8	10	75	Order
4	100	2.5x25	3/8	10	75	Order
5	125	3x32	1/2	14	75	Order
6	150	3x32	1/2	14	100	Order
8	200	3x32	1/2	14	100	Order

# Level Pipe Clamp (LPC-M / LPC-L)



**Material :** Carbon Steel (SS400)

**Finish :** Paint, Electro Galvanized (Zinc), Hot Drip Galvanized (HDG)

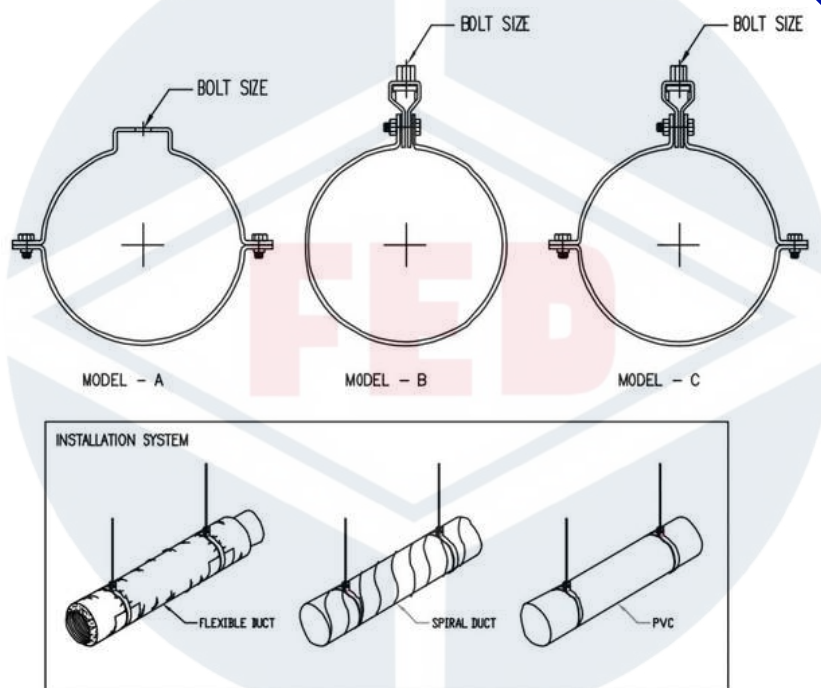
NOMINAL PIPE SIZE		STEEL SIZE	DIA. HOLE	A	B	C (mm.)		D
inch	mm.	mm.	mm.	mm.	mm.	PLC-M	PLC-L	mm.
1/2	15	2x25	9	22	3/8	100	150	18
3/4	20	2x25	9	28	3/8	100	150	20
1	25	2x25	9	35	3/8	100	150	25
1 1/4	32	2x25	9	44	3/8	100	150	30
1 1/2	40	2x25	9	50	3/8	100	150	33
2	50	2.5x25	10	64	3/8	100	150	35
2 1/2	65	2.5x25	10	80	3/8	100	150	38
3	80	2.5x25	10	9	3/8	100	150	42
4	100	2.5x25	10	118	3/8	100	150	55
5	125	3x32	14	144	1/2	100	150	60
6	150	3x32	14	170	1/2	-	200	65
8	200	3x32	14	222	1/2	-	200	70



**FED ENTERPRISE CO., LTD.**

20 Soi Rat Patthana 29, Rat Patthana, Saphan Sung, Bangkok 10240 Thailand Tel. 02 082 1182-3 www.fed.co.th

# Flexible Duct Clamp



**Material :** Carbon Steel (SS400)

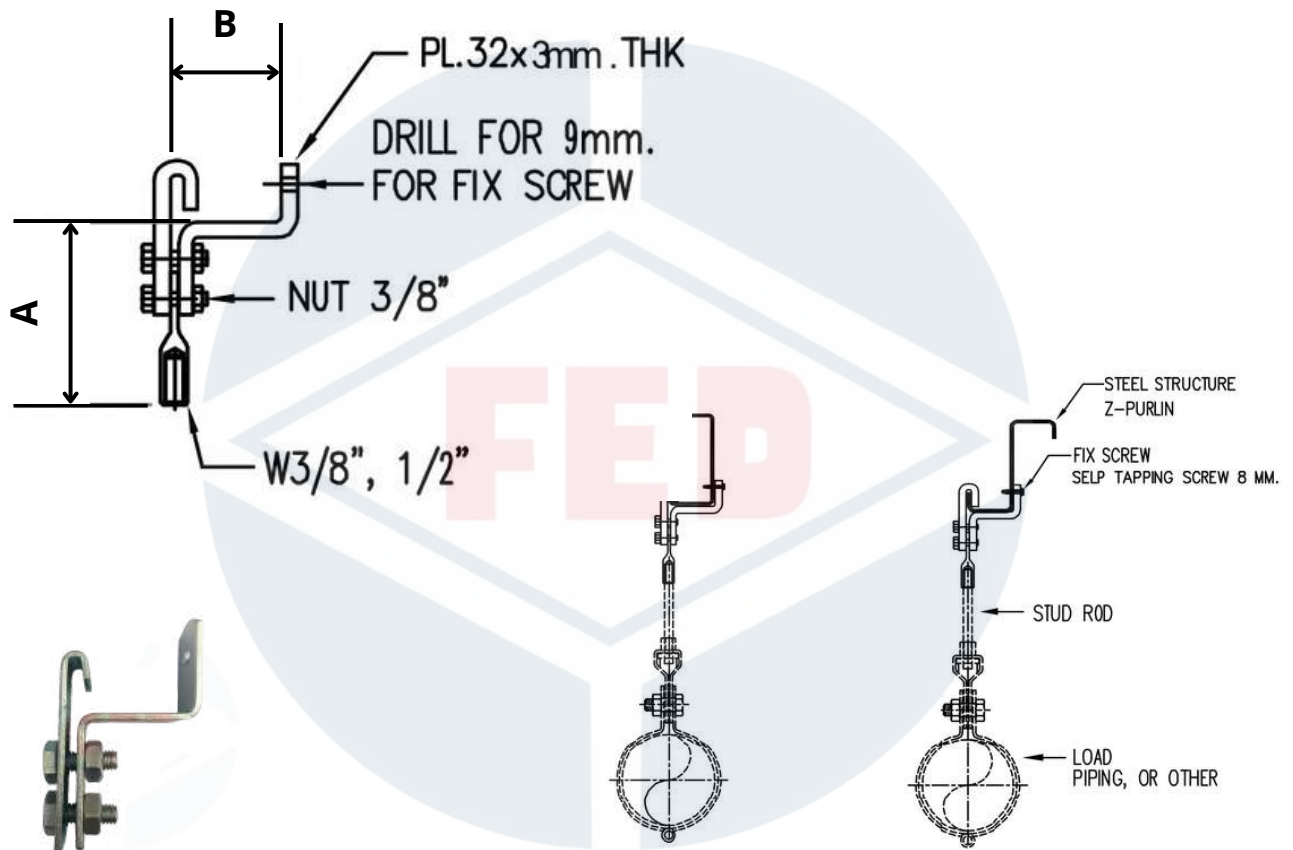
**Finish :** Paint, Electro Galvanized (Zinc), Hot Drip Galvanized (HDG)

**For :** PVC, Flexible Duct

NOMINAL PIPE SIZE		STEEL SIZE	BOLT SIZE
Inch	mm.	mm.	inch
3	80A	2x25	3/8
4	100A	2x25	3/8
5	125A	2x32	3/8
6	150A	2x32	3/8
8	200A	3x32	3/8
10	250A	3x32	3/8
12	300A	4x38	3/8
14	350A	4x38	1/2
16	400A	4x38	1/2
OTHER SIZE MADE TO ORDER			



# PL-Clamp (PLC-1)



**Material :** Carbon Steel (SS400)

**Finish :** Paint, Electro Galvanized (Zinc), Hot Drip Galvanized (HDG)

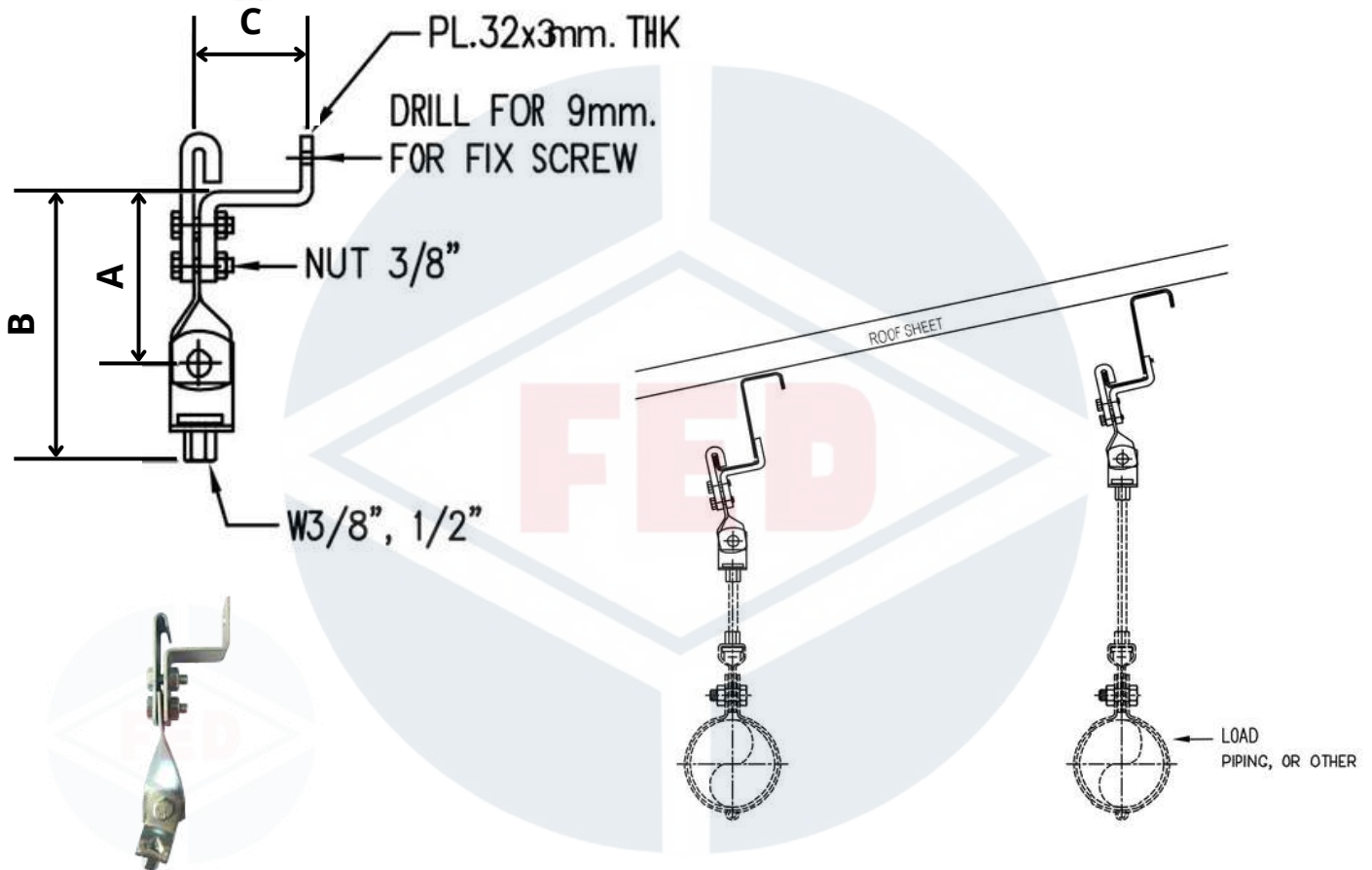
**For :** Roof Structure, Beam, Purlin

A	B	ROD SIZE
mm.	mm.	Inch
75	50	3/8"
80	75	1/2"
85	100	5/8"





# PL-Clamp (PLC-2)



**Material :** Carbon Steel (SS400)

**Finish :** Paint, Electro Galvanized (Zinc), Hot Drip Galvanized (HDG)

**For :** Roof Structure, Beam, Purlin

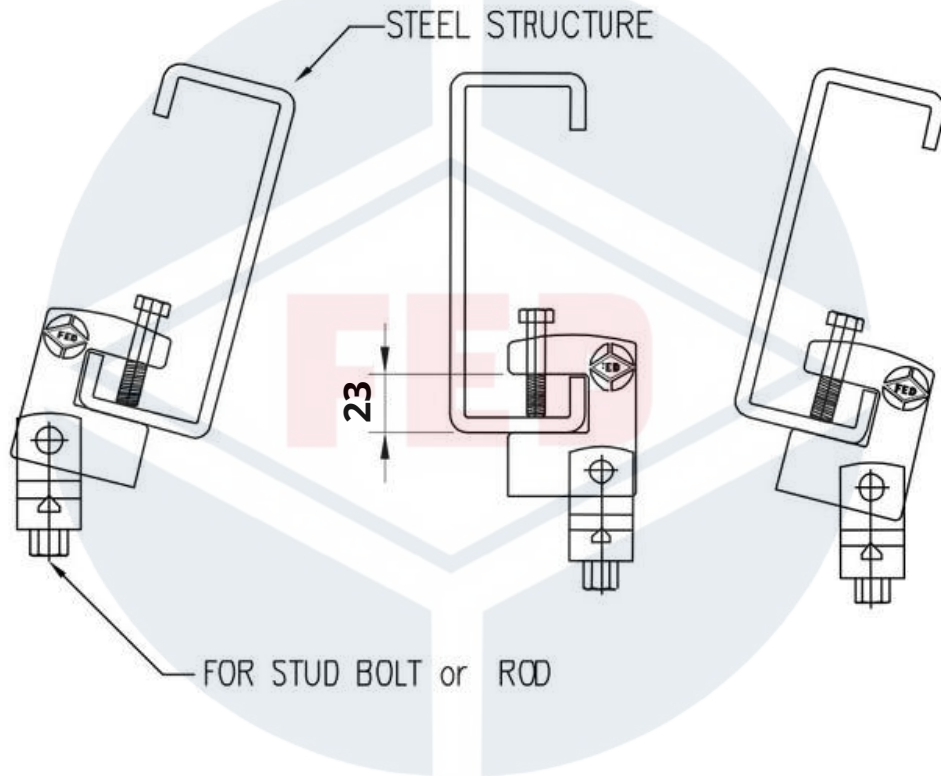
A	B	C	ROD SIZE
mm.	mm.	mm.	Inch
75	125	50	3/8"
80	35	75	1/2"
85	145	100	5/8"



**FED ENTERPRISE CO., LTD.**

20 Soi Rat Patthana 29, Rat Patthana, Saphan Sung, Bangkok 10240 Thailand Tel. 02 082 1182-3 www.fed.co.th

# Dragon Beam Clamp (BC-01)

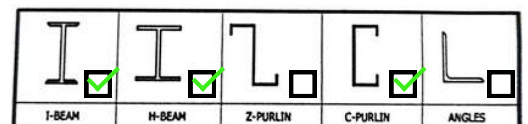


**Material :** Carbon Steel (SS400)

**Finish :** Paint, Electro Galvanized (Zinc), Hot Drip Galvanized (HDG)

**For :** Install Under Beam and Steel Structure I-Beam, H-Beam and C-Chanel

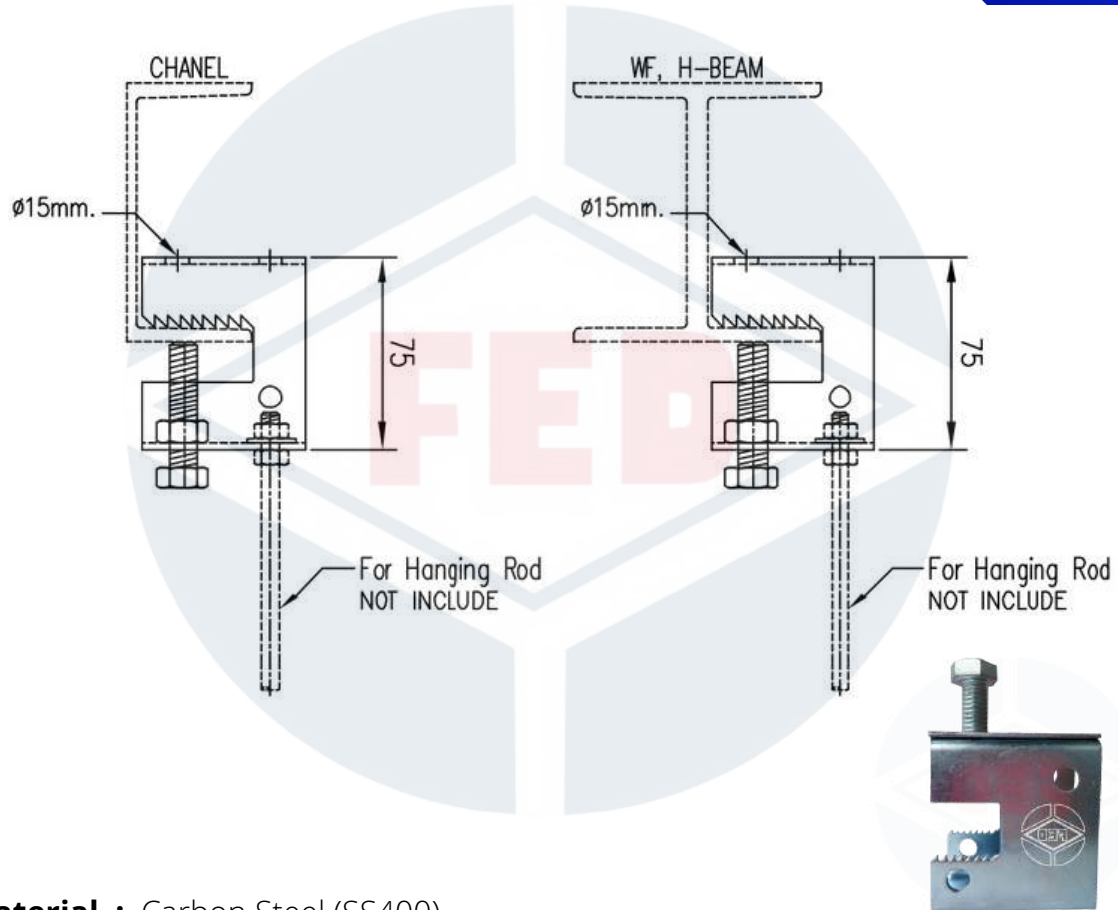
ROD SIZE	WORKING LOAD
inch	Kg.
3/8	75
1/2	100



FED ENTERPRISE CO., LTD.

20 Soi Rat Patthana 29, Rat Patthana, Saphan Sung, Bangkok 10240 Thailand Tel. 02 082 1182-3 www.fed.co.th

# Beam Box Clamp (BC-02)

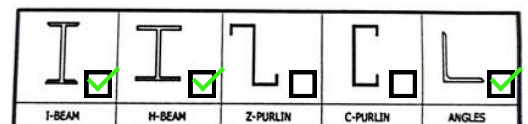


**Material :** Carbon Steel (SS400)

**Finish :** Paint, Electro Galvanized (Zinc), Hot Drip Galvanized (HDG)

**For :** Install Under Beam and Steel Structure

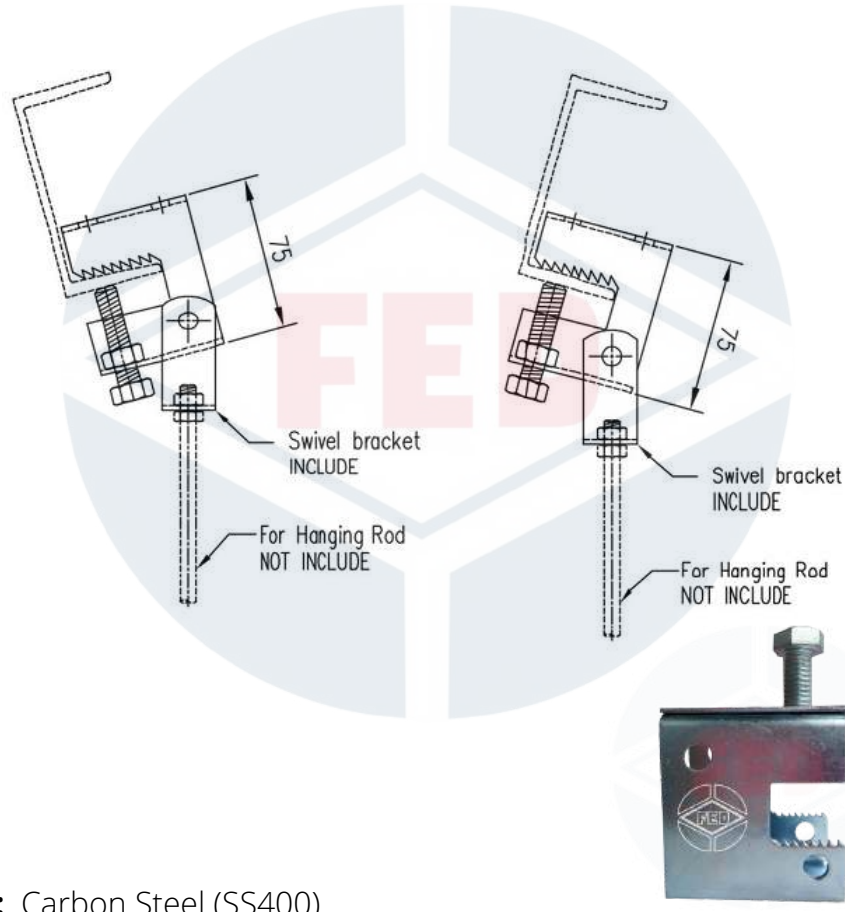
ROD SIZE	WORKING LOAD
inch	Kg.
3/8	75
1/2	100



FED ENTERPRISE CO., LTD.

20 Soi Rat Patthana 29, Rat Patthana, Saphan Sung, Bangkok 10240 Thailand Tel. 02 082 1182-3 www.fed.co.th

# Beam Box Clamp with Hanger (BC-03)

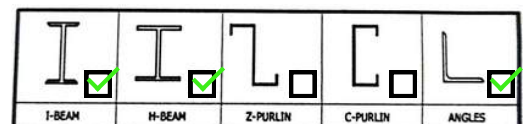


**Material :** Carbon Steel (SS400)

**Finish :** Paint, Electro Galvanized (Zinc), Hot Drip Galvanized (HDG)

**For :** Install Under Beam and Steel Structure

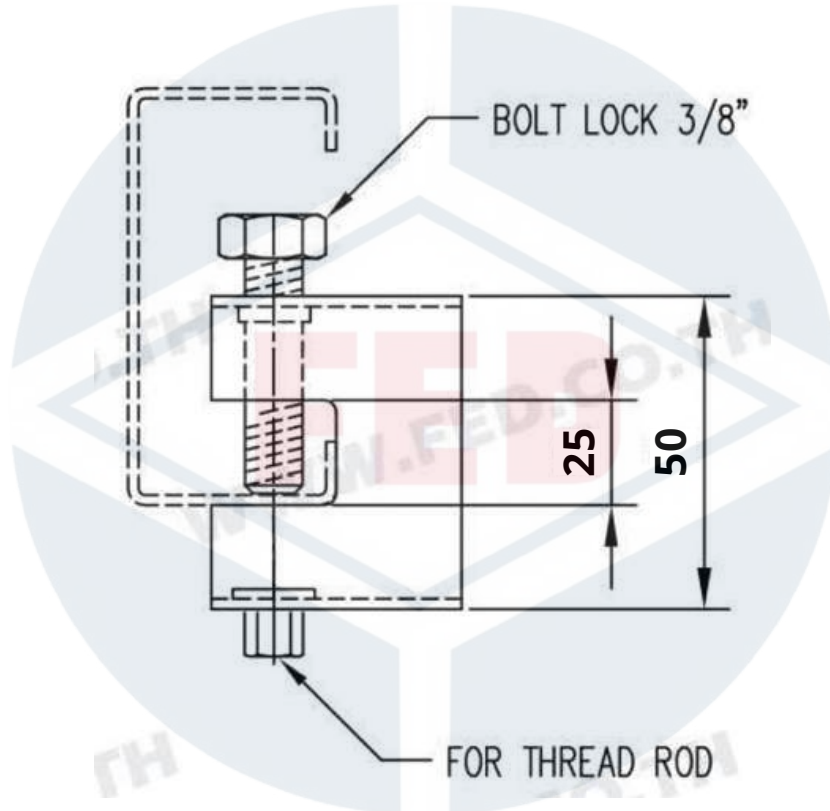
ROD SIZE	WORKING LOAD
inch	Kg.
3/8	75
1/2	100



FED ENTERPRISE CO., LTD.

20 Soi Rat Patthana 29, Rat Patthana, Saphan Sung, Bangkok 10240 Thailand Tel. 02 082 1182-3 www.fed.co.th

# Beam Clamp (BC-04)

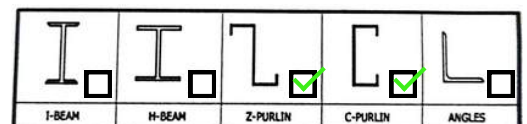


**Material :** Carbon Steel (SS400)

**Finish :** Paint, Electro Galvanized (Zinc), Hot Drip Galvanized (HDG)

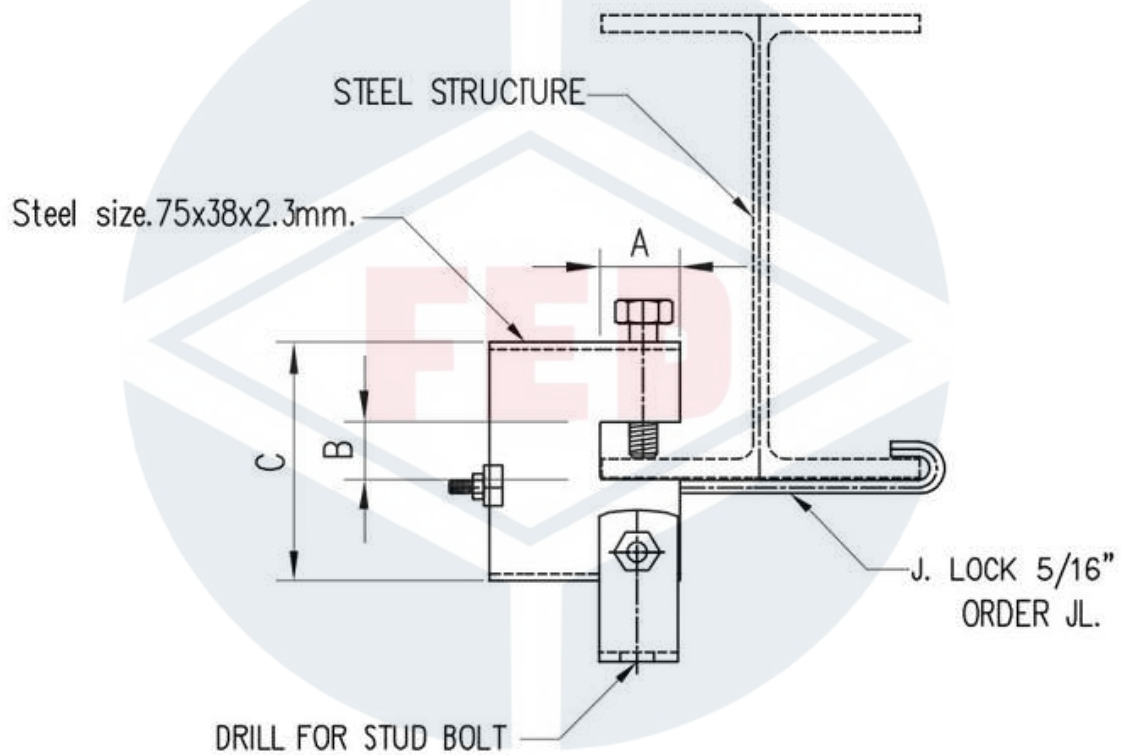
**For :** incase of install equipment under beam lip light - C

ROD SIZE	WORKING LOAD
inch	Kg.
3/8	75
1/2	100





# Beam Clamp (BC-05)

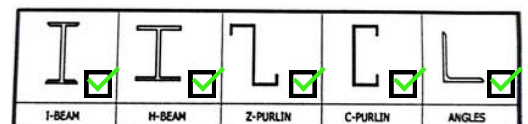


**Material :** Carbon Steel (SS400)

**Finish :** Paint, Electro Galvanized (Zinc), Hot Drip Galvanized (HDG)

**For :** Install under U-Frame and Steel Structure

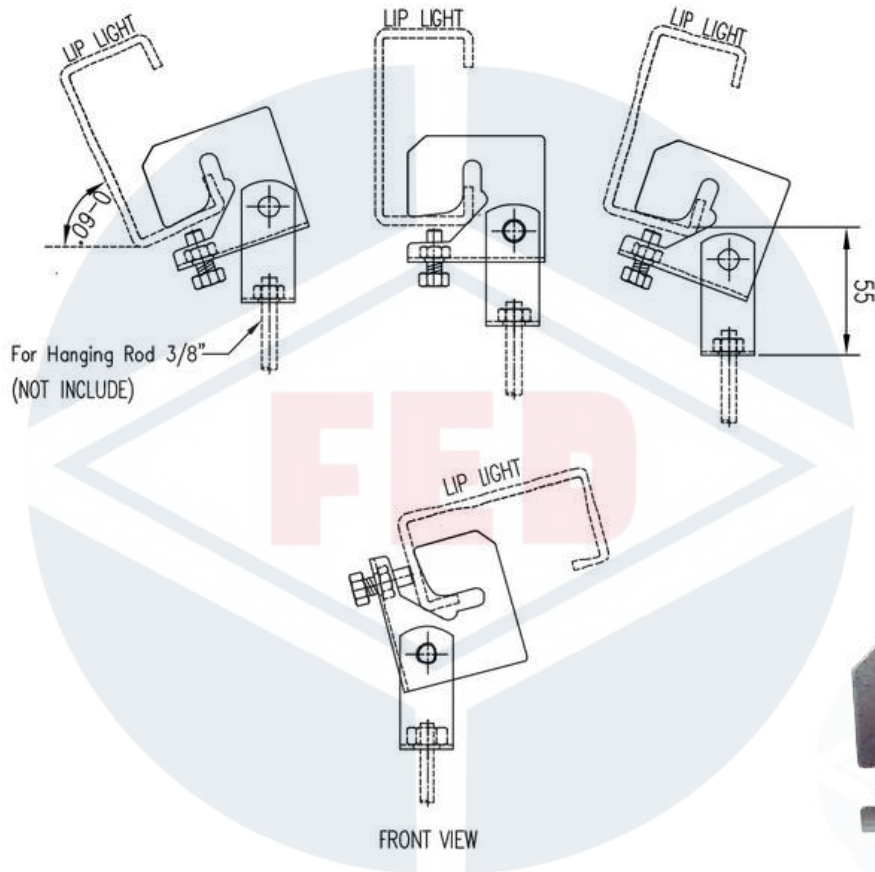
ROD SIZE	DIMENSIONS (mm.)				WORKING LOAD
inch	A	B	C	JL	Kg.
3/8	30	23	75	ORDER	100
1/2	30	23	75	ORDER	150



FED ENTERPRISE CO., LTD.

20 Soi Rat Patthana 29, Rat Patthana, Saphan Sung, Bangkok 10240 Thailand Tel. 02 082 1182-3 www.fed.co.th

# Multi Flange Beam Clamp (BC-06)

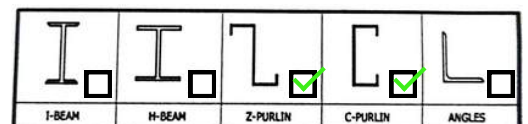


**Material :** Carbon Steel (SS400)

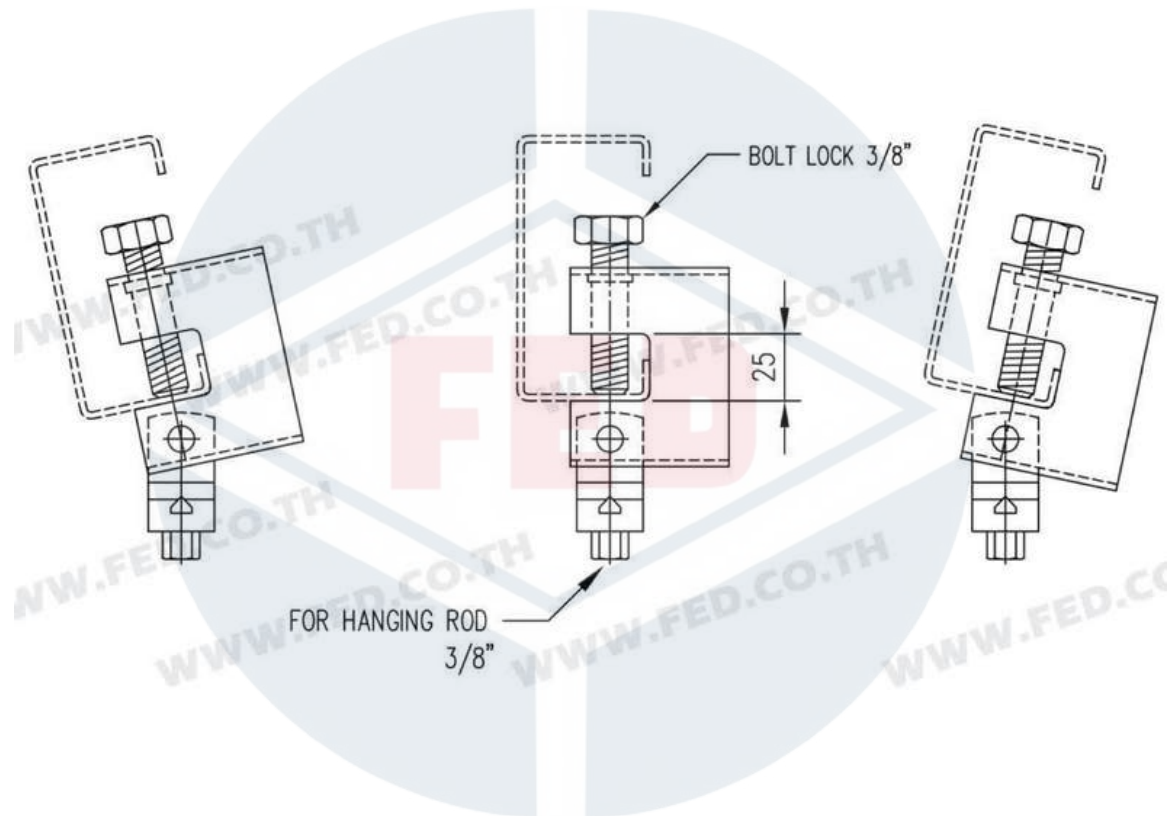
**Finish :** Paint, Electro Galvanized (Zinc), Hot Drip Galvanized (HDG)

**For :** Install Under Beam and Steel Structure with purlin multi angle on slope roof sheet

ROD SIZE	WORKING LOAD
inch	Kg.
3/8	75
1/2	100



# Beam Clamp (BC-07)

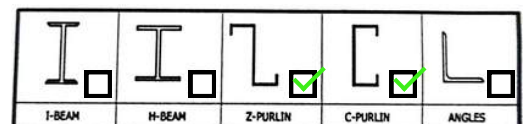


**Material :** Carbon Steel (SS400)

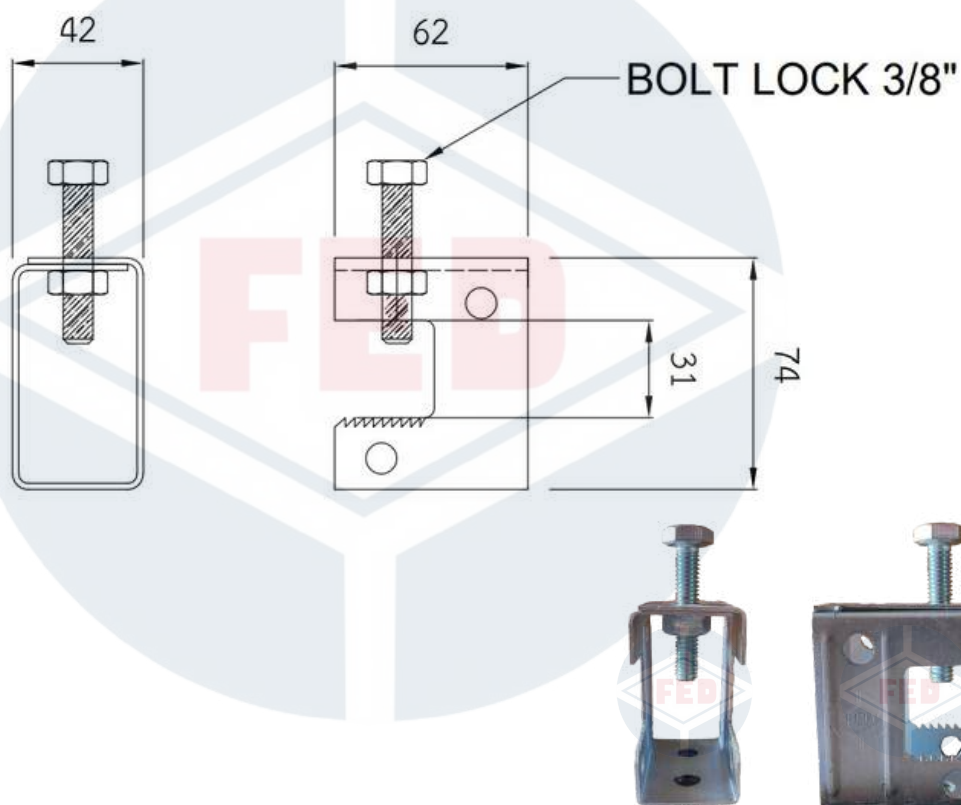
**Finish :** Paint, Electro Galvanized (Zinc), Hot Drip Galvanized (HDG)

**For :** incase of install equipment under beam lip light - C

ROD SIZE	WORKING LOAD
inch	Kg.
3/8	75
1/2	100



# Beam Box Clamp (BC-08) (รุ่นปากกว้าง)

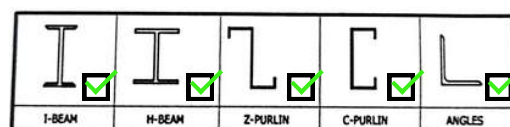


**Material :** Carbon Steel (SS400)

**Finish :** Paint, Electro Galvanized (Zinc), Hot Drip Galvanized (HDG)

**For :** Install Under Beam and Steel Structure

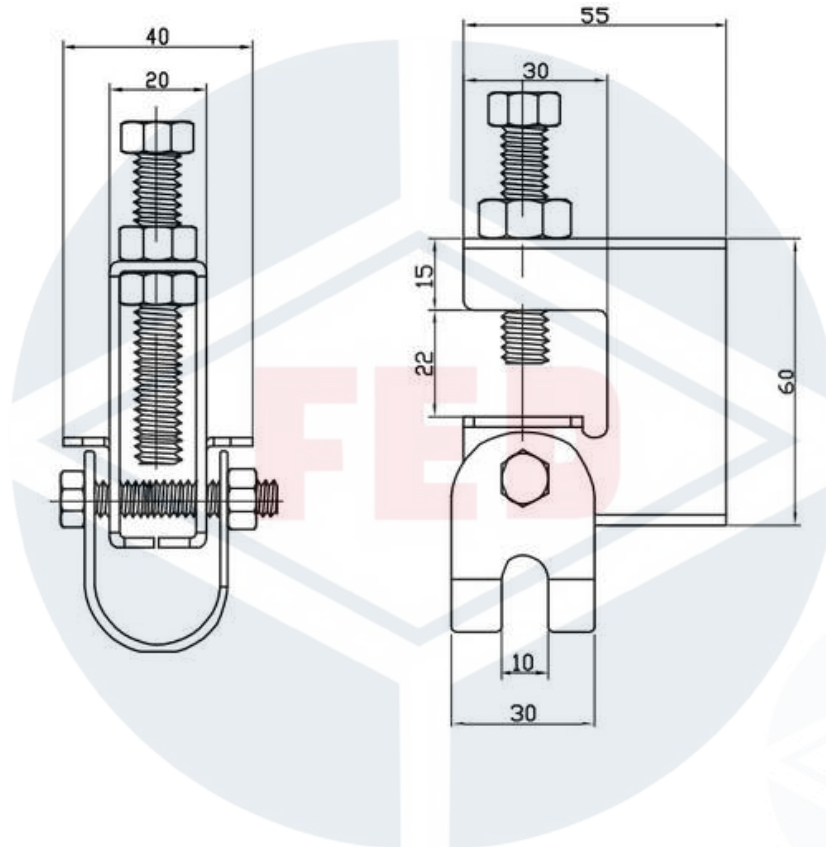
ROD SIZE	WORKING LOAD
inch	Kg.
3/8	75



FED ENTERPRISE CO., LTD.

20 Soi Rat Patthana 29, Rat Patthana, Saphan Sung, Bangkok 10240 Thailand Tel. 02 082 1182-3 www.fed.co.th

# Beam Clamp (F2)

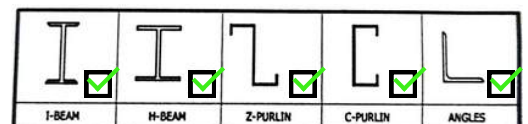


**Material :** Carbon Steel (SS400)

**Finish :** Paint, Electro Galvanized (Zinc), Hot Drip Galvanized (HDG)

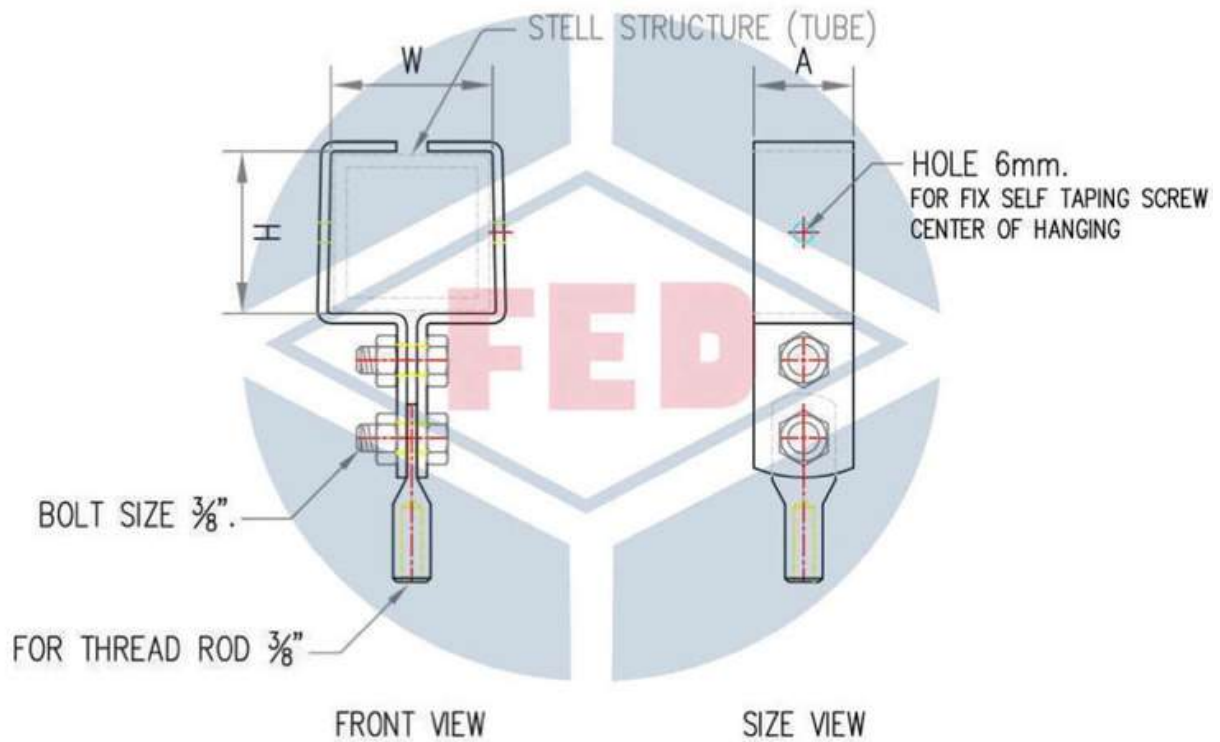
**For :** Install with beam pipe steel structure, Hanging equipment over head or under roof

ROD SIZE	WORKING LOAD
inch	Kg.
3/8	40





# Beam Clamp (BC-201-SQ)



**Material :** Carbon Steel (SS400)

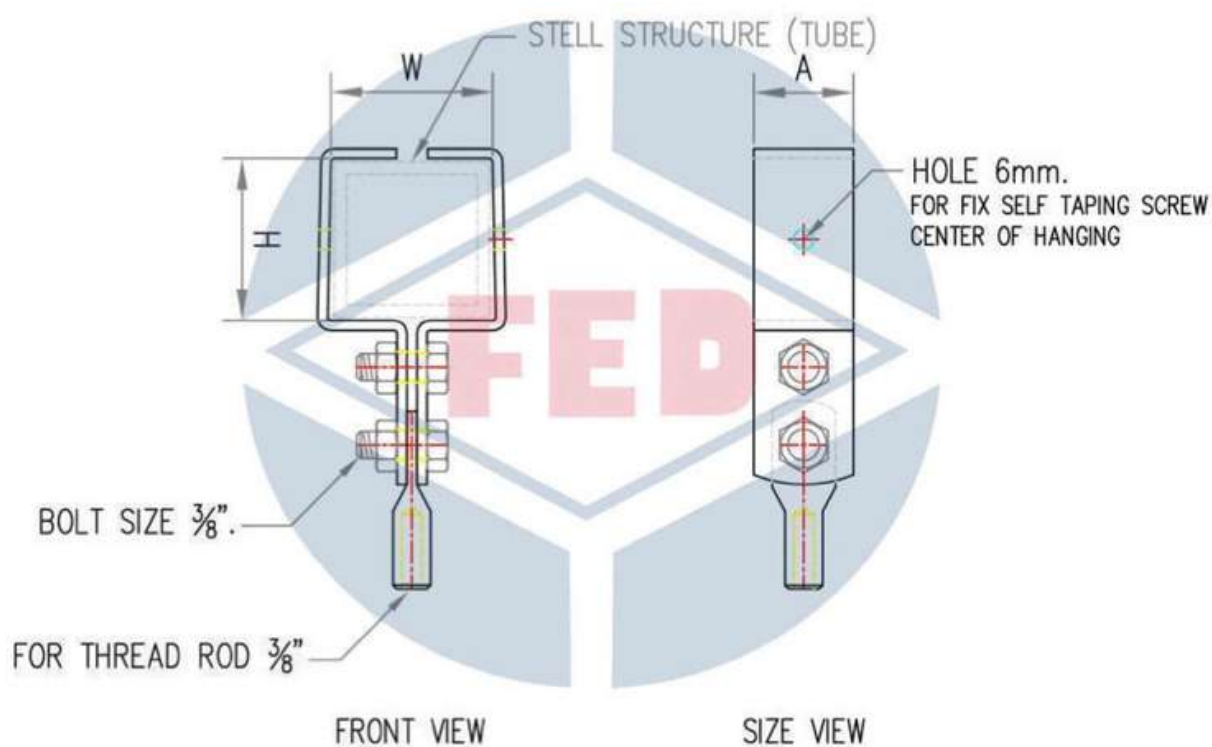
**Finish :** Paint, Electro Galvanized (Zinc), Hot Drip Galvanized (HDG)

**For :** Install under roof sheet or steel structure, square tube

SIZE	A	H	W	STEEL THK.	WORKING LOAD
mm.	mm.	mm.	mm.	mm.	Kg.
40 x 40	40	42	42	3	50
50 x 50	40	52	52	3	50
75 x 75	40	77	77	5	70
100 x 100	40	102	102	5	70



# Beam Clamp (BC-201-REC)



**Material :** Carbon Steel (SS400)

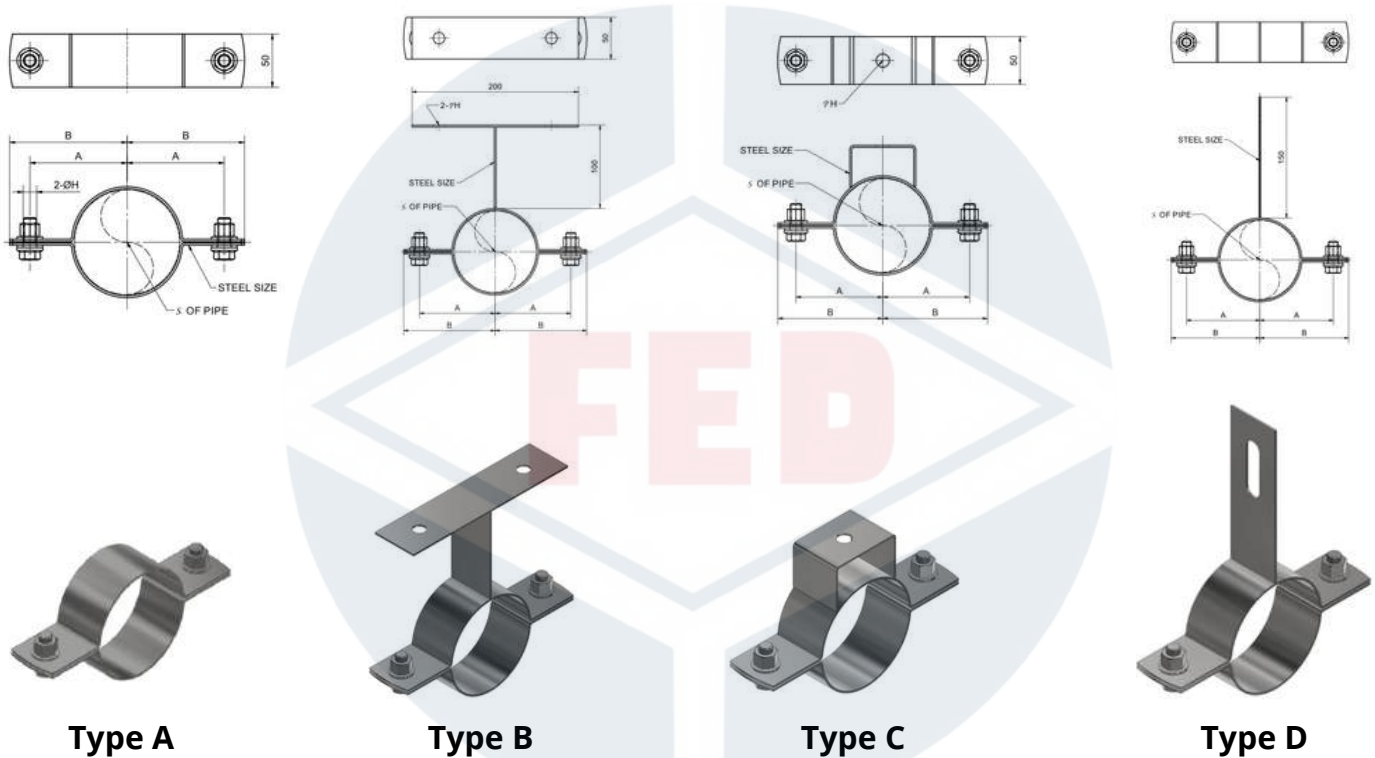
**Finish :** Paint, Electro Galvanized (Zinc), Hot Drip Galvanized (HDG)

**For :** Install under roof sheet or steel structure, rectangular tube

SIZE	A	H	W	STEEL THK.	WORKING LOAD
mm.	mm.	mm.	mm.	mm.	Kg.
50 x 25	40	42	42	3	50
75 x 40	40	52	52	3	50
100 x 50	40	77	77	5	70
125 x 65	40	102	102	5	70



# Pipe Clamp (PC)



**Material** : Carbon Steel (SS400)

**Finish** : Paint, Electro Galvanized (Zinc), Hot Drip Galvanized (HDG)

NOMINAL PIPE SIZE		STEEL SIZE	BOLT SIZE	A	B	H
inch	mm.	mm.	inch	mm.	mm.	mm.
4	100	6x50	1/2	90	110	14
5	125	6x50	1/2	105	125	14
6	150	6x50	1/2	125	150	14
8	200	6x50	1/2	155	175	14
10	250	6x50	1/2	190	215	14
12	300	6x50	1/2	215	245	14



**FED ENTERPRISE CO., LTD.**

20 Soi Rat Patthana 29, Rat Patthana, Saphan Sung, Bangkok 10240 Thailand Tel. 02 082 1182-3 www.fed.co.th



# FED ENTERPRISE CO., LTD.

SINCE 2005

20 Soi Rat Patthana 29,  
Rat Patthana, Saphan Sung,  
Bangkok 10240  
Tel. 02 082 1182

WWW.FED.CO.TH

