

THE BEST OF DRAINAGE SYSTEM

HI-CLASS DRAINAGE FOR HOUSING

SPECIAL DRAINAGE FOR CONDOMINIUM

PERFECT DRAINAGE FOR THE FUTURE BUILDING



ROOF DRAIN



FLOOR DRAIN

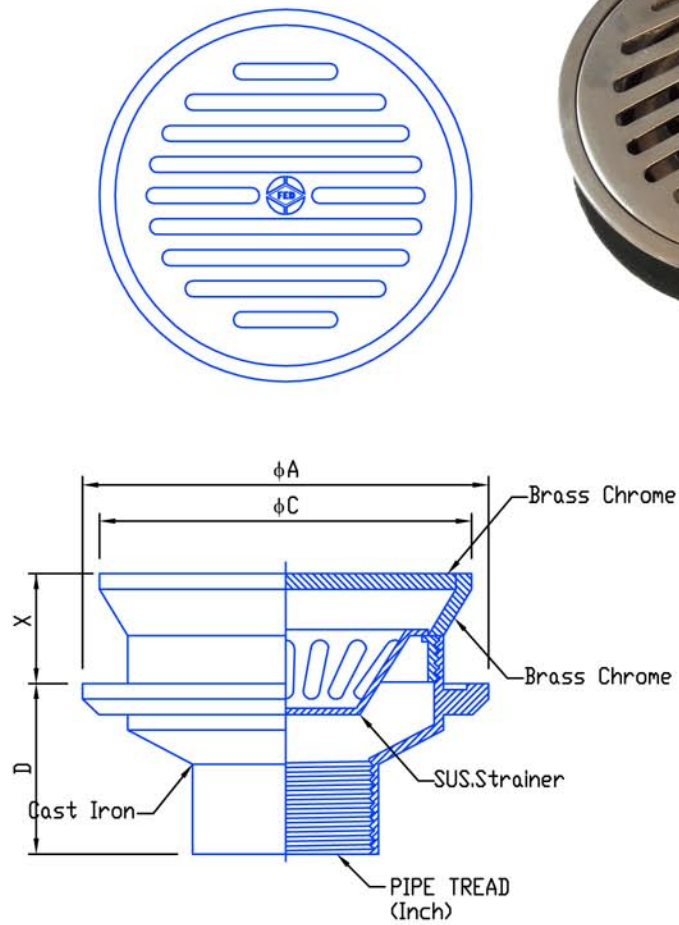


APPLICATION :
FLOOR DRAIN, FLOOR CLEAN OUT, CLEAN OUT
AIR VENT CAP, DRAIN TRAP, MANHOLE COVER
WE DESIGN AND INSTALLATION SUPPORT



FED ENTERPRISE CO.,LTD. www.fedinter.com

294/12 Nalin avenue, Soi.Ramkhamhaeng138-140, Ramkhamhaeng Rd., Sapansung, Sapansung, Bangkok 10240, Email : fedinter@hotmail.co.th
Tel. (66)0-2372-3182-3 Fax.(66)0-2372-3184



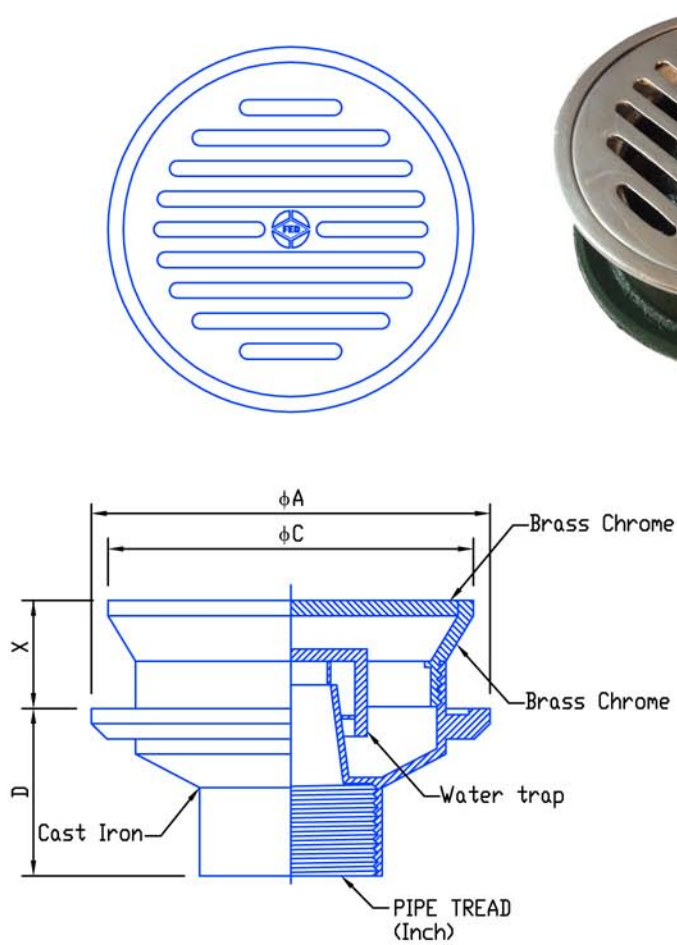
CAST IRON FLOOR DRAIN TYPE-S WITH STRAINER SUS.

MODEL : FD-ST-S

NORMINAL PIPE SIZE		DIMENSIONS (MM.)			
(inch)	(A)	ϕA	ϕC	D	ADJUSTMENT -X
2"	50A	132	121	58	32-48
2 1/2"	65A	132	121	58	32-48
3"	80A	132	121	58	32-48
4"	100A	178	178	70	37-66



FED ENTERPRISE CO.,LTD. www.fedinter.com



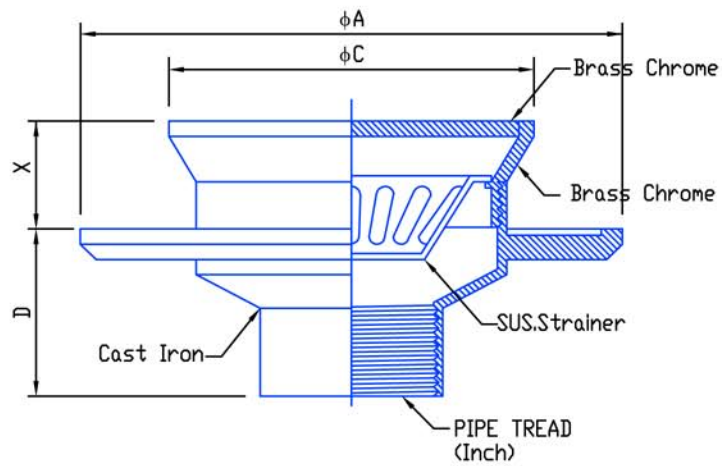
CAST IRON FLOOR DRAIN TYPE S WITH WATER TRAP

MODEL : FD-TR-S

NORMINAL PIPE SIZE		DIMENSIONS (MM.)			
(inch)	(A)	φA	φC	D	ADJUSTMENT -X
2"	50A	132	121	58	32-48
2 1/2"	65A	132	121	58	32-48
3"	80A	132	121	58	32-48
4"	100A	178	178	70	37-66



FED ENTERPRISE CO.,LTD. www.fedinter.com



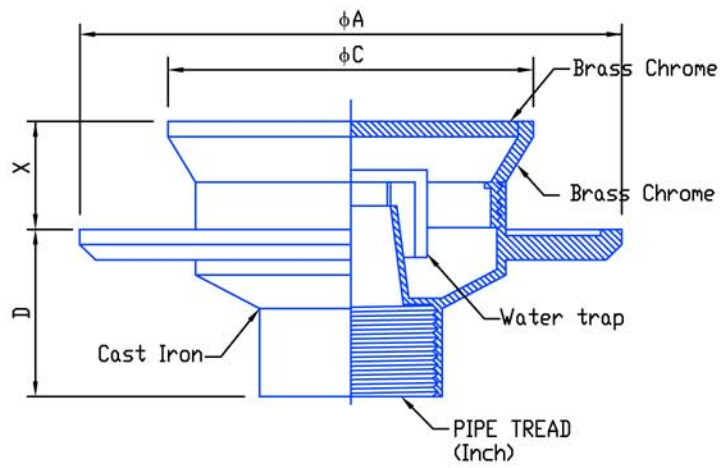
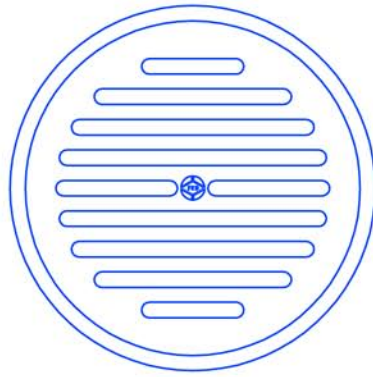
CAST IRON FLOOR DRAIN TYPE-L WITH STRAINER SUS.

MODEL : FD-ST-L

NORMINAL PIPE SIZE		DIMENSIONS (MM.)			
(inch)	(A)	ϕA	ϕC	D	ADJUSTMENT -X
2"	50A	195	120	63	46-61
2 1/2"	65A	195	120	63	46-61
3"	80A	195	120	63	46-61
4"	100A	220	178	63	41-65



FED ENTERPRISE CO.,LTD. www.fedinter.com



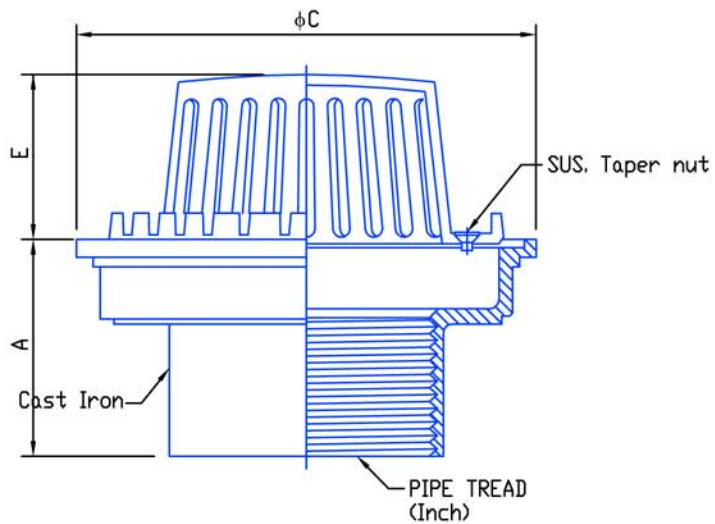
CAST IRON FLOOR DRAIN TYPE L WITH WATER TRAP

MODEL : FD-TR-L

NORMINAL PIPE SIZE		DIMENSIONS (MM.)			
(inch)	(A)	ϕA	ϕC	D	ADJUSTMENT -X
2"	50A	132	121	58	32-48
2 1/2"	65A	132	121	58	32-48
3"	80A	132	121	58	32-48
4"	100A	178	178	71	37-66



FED ENTERPRISE CO.,LTD. www.fedinter.com



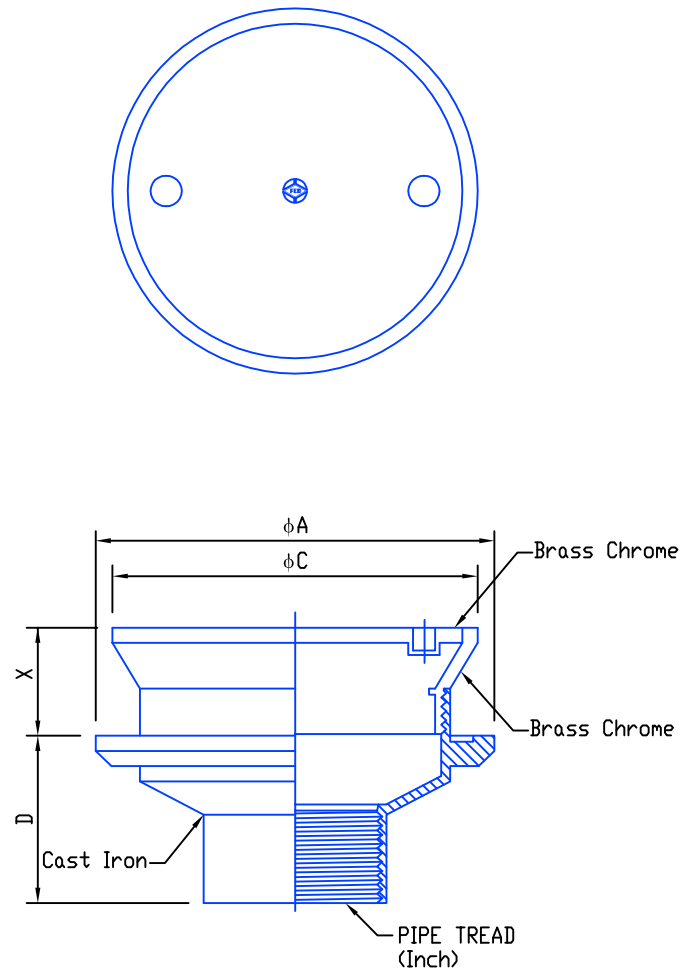
CAST IRON ROOF DRAIN HEAVY DUTY TYPE

MODEL : RD-X

NORMINAL PIPE SIZE		DIMENSIONS (MM.)			FREE AREA (sq.mm.)
(inch)	(A)	A	øC	E	
2"	50A	70	230	70	16,500
2 1/2"	65A	70	230	70	16,500
3"	80A	70	230	70	16,500
4"	100A	70	230	70	16,500
5"	125A	70	230	70	16,500
6"	150A	70	230	70	16,500



FED ENTERPRISE CO.,LTD. www.fedinter.com



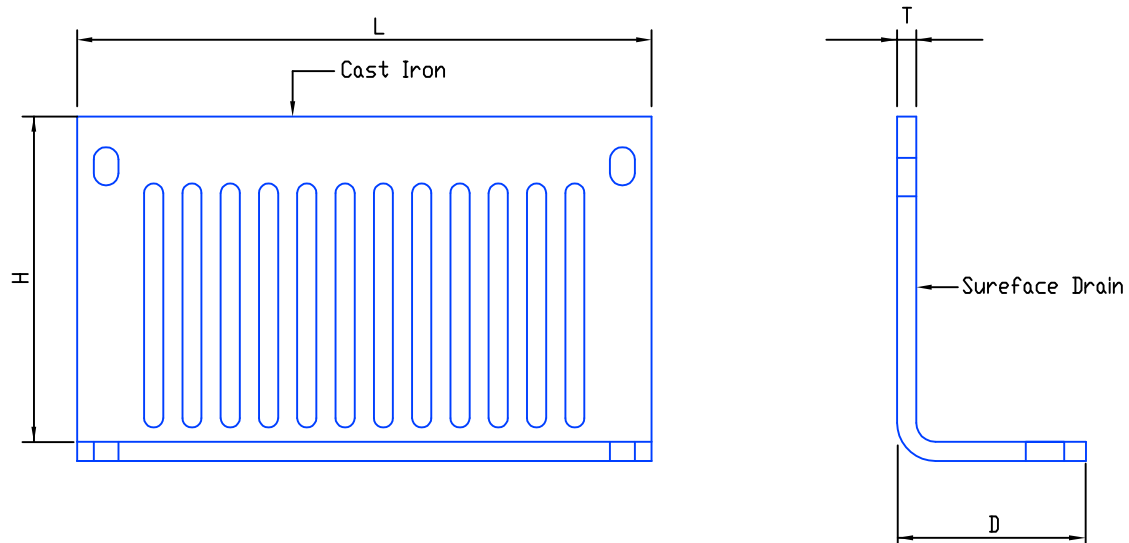
CAST IRON FLOOR CLEAN OUT

MODEL : FC011

NORMINAL PIPE SIZE		DIMENSIONS (MM.)			
(inch)	(A)	φA	φC	D	ADJUSTMENT -X
2"	50A	132	121	58	32-48
2 1/2"	65A	132	121	58	32-48
3"	80A	132	121	58	32-48
4"	100A	178	178	70	37-66



FED ENTERPRISE CO.,LTD. www.fedinter.com



CAST IRON SCUBER DRAIN

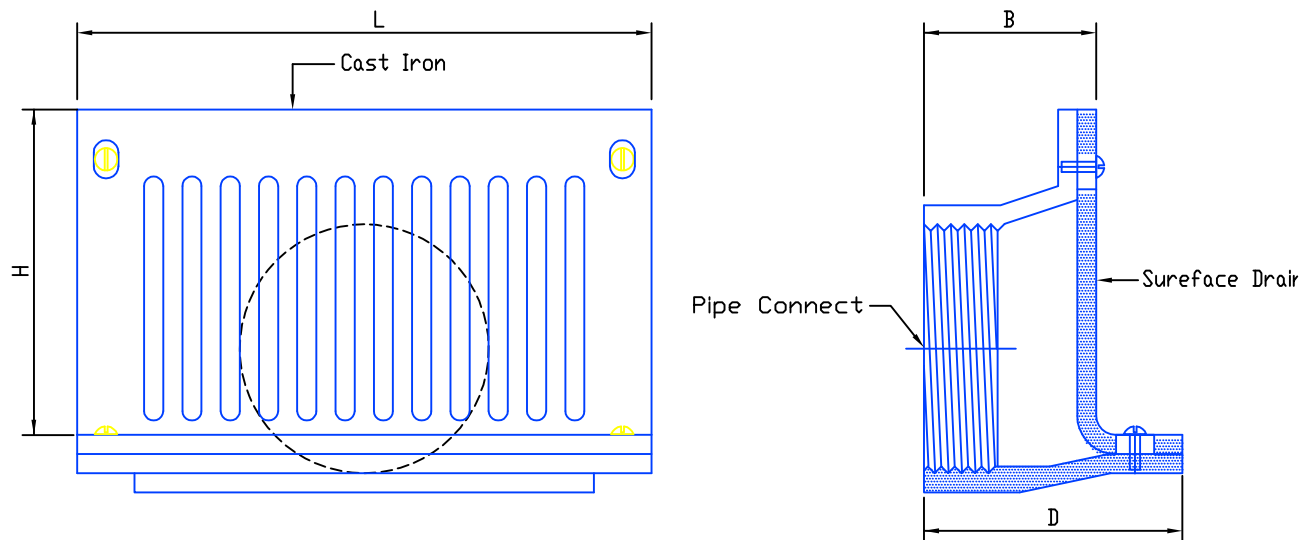
FOR : INSTALL ON ROAD, GARDEN WALKWAY

MODEL : SC-1

NORMINAL PIPE SIZE		DIMENSIONS (MM.)			
(inch)	(A)	L	H	D	T
4"	100A	250	150	65	9



FED ENTERPRISE CO.,LTD. www.fedinter.com



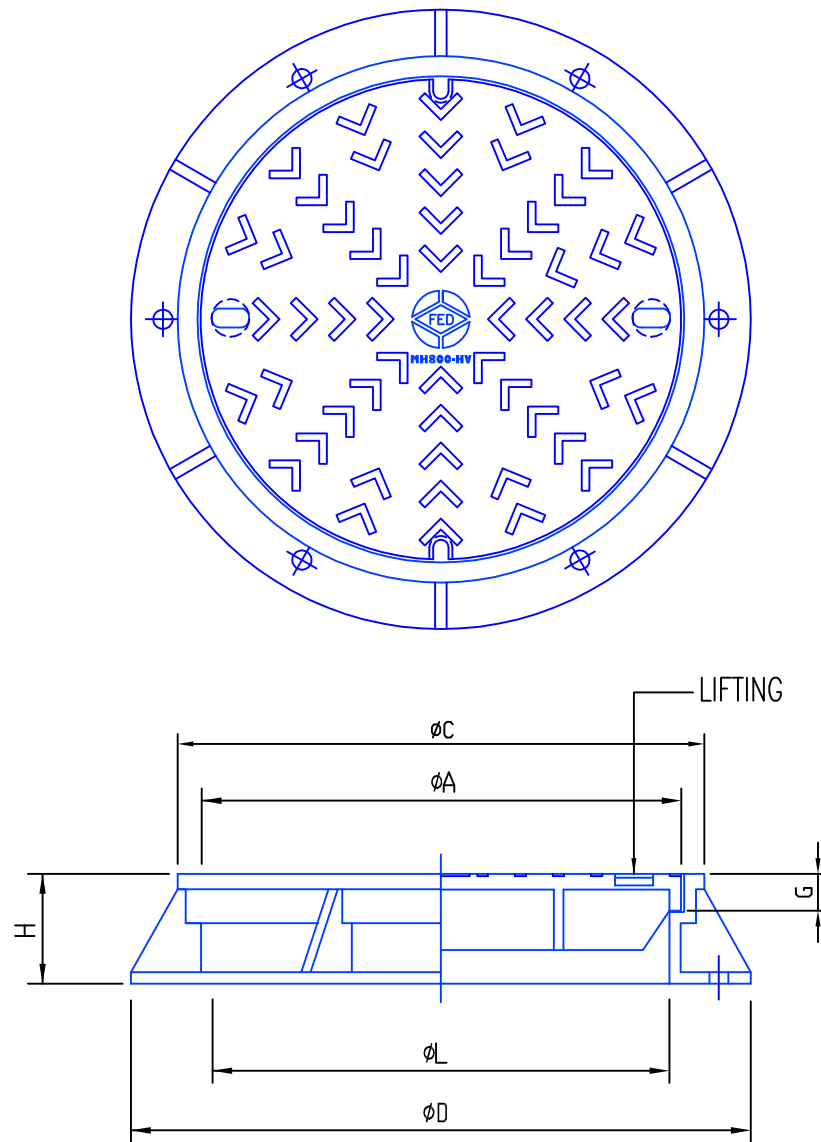
CAST IRON SCUBER DRAIN
FOR : INSTALL ON TOLLWAY, BRIDE

MODEL : SC-2

NORMINAL PIPE SIZE		DIMENSIONS (MM.)			
(inch)	(A)	L	H	B	D
4"	100A	250	150	75	100



FED ENTERPRISE CO.,LTD. www.fedinter.com



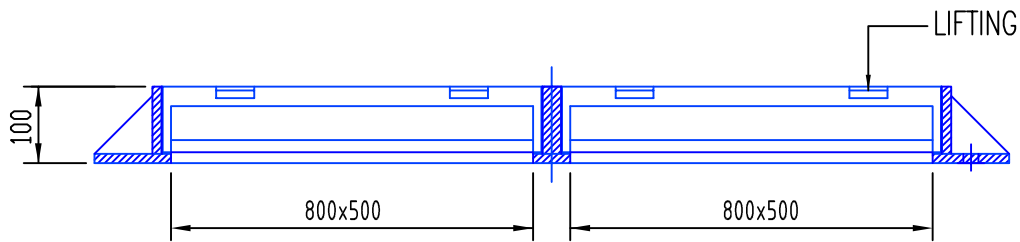
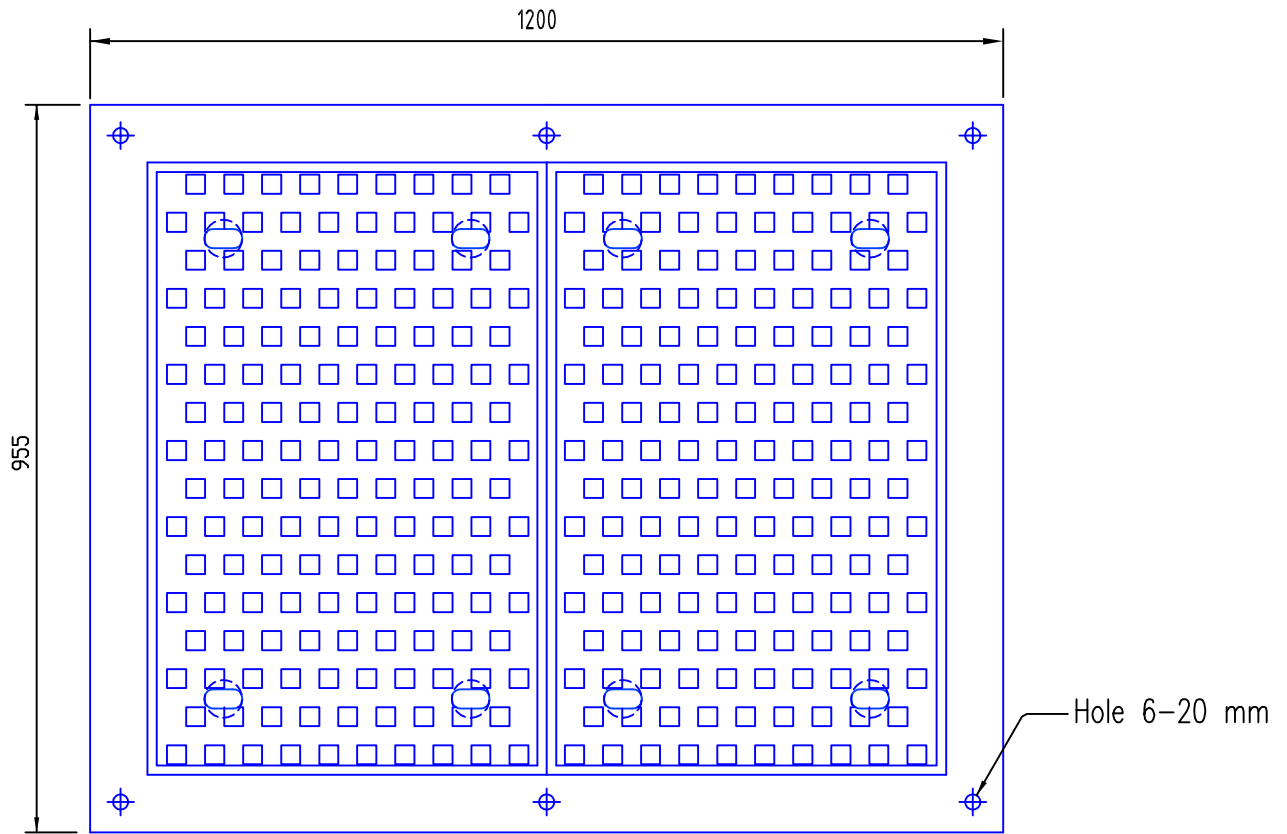
CAST IRON MANHOLE COVER HEAVY DUTY TYPE

MODEL : MH-HV

STANDARD SIZE	DIMENSIONS (MM.)					
	ϕA	ϕC	ϕD	ϕL	G	H
MH-600	645	680	820	600	50	115
MH-700	745	780	920	700	50	115
MH-800	845	880	1020	800	50	115
MH-900	945	980	1120	900	50	120
MH-1000	1045	1080	1220	1000	50	120



FED ENTERPRISE CO.,LTD. www.fedinter.com



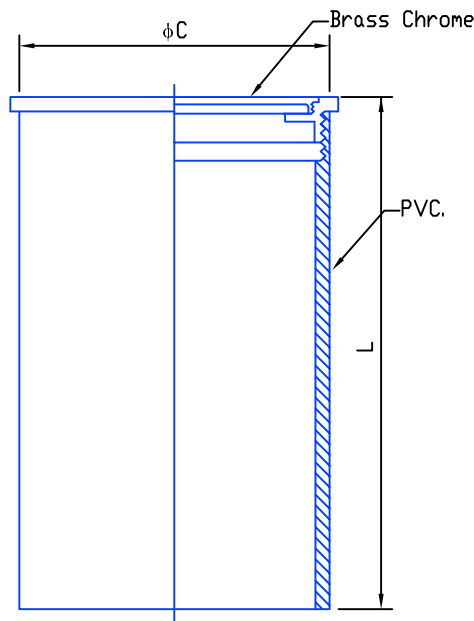
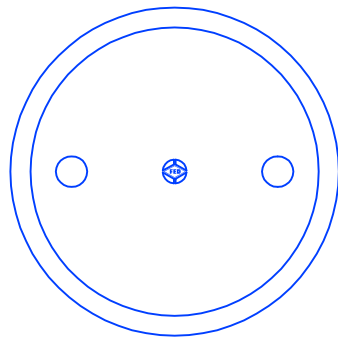
CAST IRON MANHOLE COVER HEAVY DUTY TYPE

MODEL : VB-800x500-HV

STANDARD SIZE	DIMENSIONS (MM.)		
	MH COVER	OUT SIDE	WEIGHT (kg)
800x500	2-800x500	1200x955	



FED ENTERPRISE CO.,LTD. www.fedinter.com



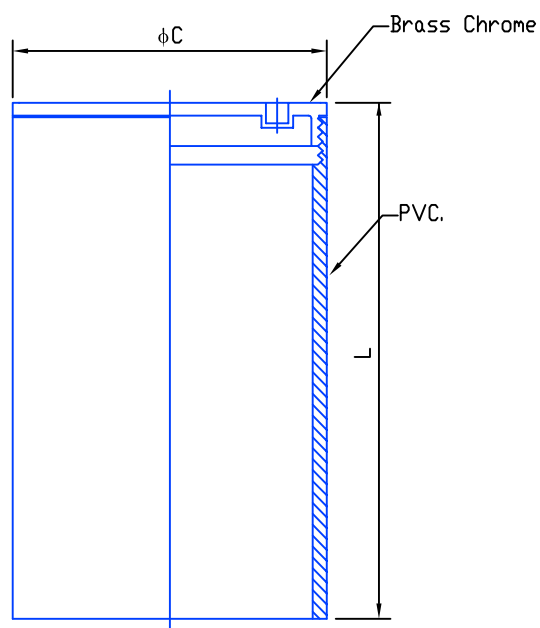
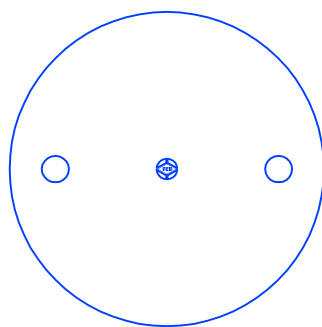
FLOOR CLEAN OUT (FOR PVC PIPE)

MODEL : FCO-PVC

NORMINAL PIPE SIZE		DIMENSIONS (MM.)	
(inch)	(A)	ϕC	L
2"	50A	50	125
2 1/2"	65A	65	125
3"	80A	80	125
4"	100A	100	125



FED ENTERPRISE CO.,LTD. www.fedinter.com



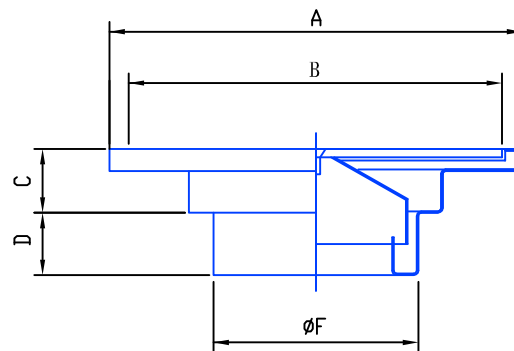
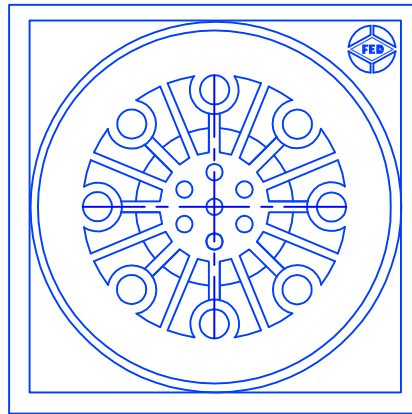
CLEAN OUT (FOR PVC PIPE)

MODEL : 60-PVC

NORMINAL PIPE SIZE		DIMENSIONS (MM.)	
(inch)	(A)	ϕC	L
2"	50A	50	200
2 1/2"	65A	65	200
3"	80A	80	200
4"	100A	100	200



FED ENTERPRISE CO.,LTD. www.fedinter.com



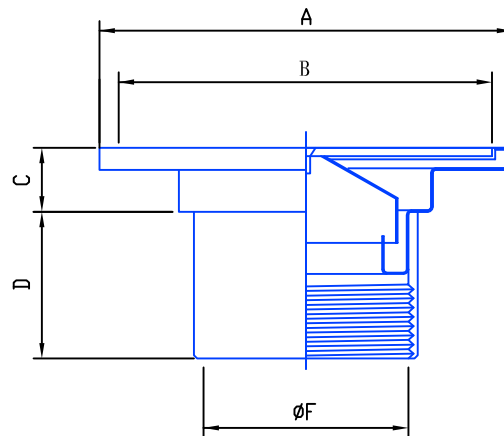
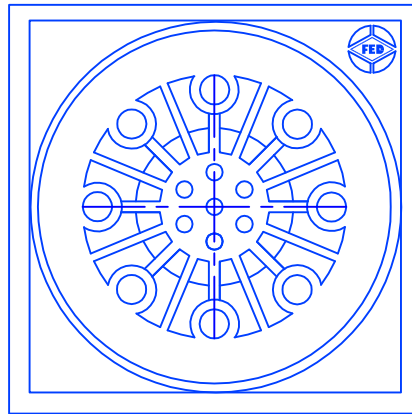
STAINLESS STEEL FLOOR DRAIN SQUARE FACE

MODEL : FD-SUS-101

NORMINAL PIPE SIZE		DIMENSIONS (MM.)				
(inch)	(A)	A	B	C	D	ØF
2"	50A	100x100	90x90	15	15	2"



FED ENTERPRISE CO.,LTD. www.fedinter.com



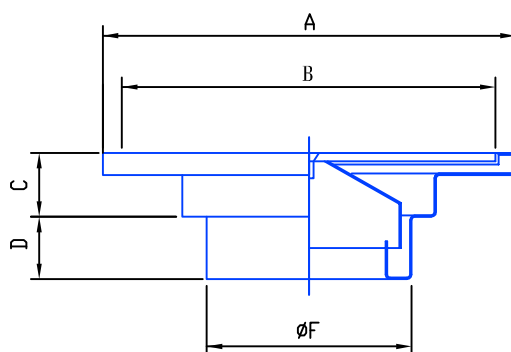
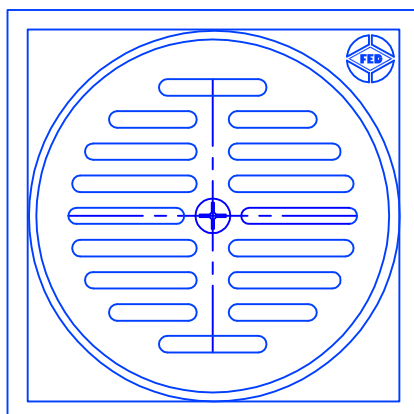
STAINLESS STEEL FLOOR DRAIN SQUARE FACE

MODEL : FD-SUS101S

NORMINAL PIPE SIZE		DIMENSIONS (MM.)				
(inch)	(A)	A	B	C	D	ØF
2"	50A	100	90	15	50	2"



FED ENTERPRISE CO.,LTD. www.fedinter.com



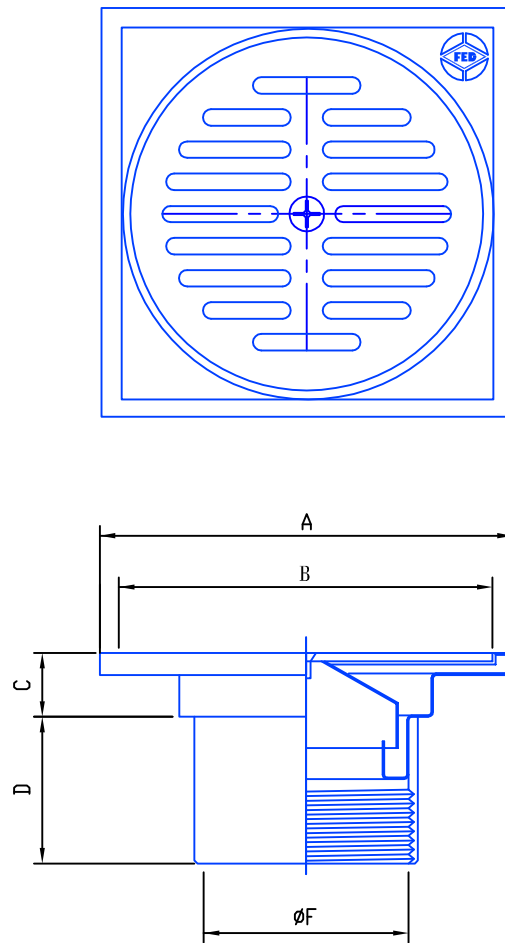
STAINLESS STEEL FLOOR DRAIN SQUARE FACE

MODEL : FD-SUS102

NORMINAL PIPE SIZE		DIMENSIONS (MM.)				
(inch)	(A)	A	B	C	D	ØF
2"	50A	100	90	15	15	2"



FED ENTERPRISE CO.,LTD. www.fedinter.com



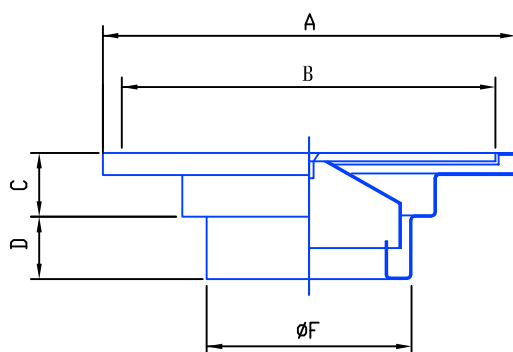
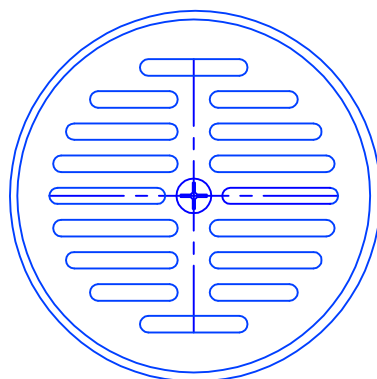
STAINLESS STEEL FLOOR DRAIN SQUARE FACE

MODEL : FD-SUS102S

NORMINAL PIPE SIZE		DIMENSIONS (MM.)				
(inch)	(A)	A	B	C	D	ØF
2"	50A	100	90	15	50	2"



FED ENTERPRISE CO.,LTD. www.fedinter.com



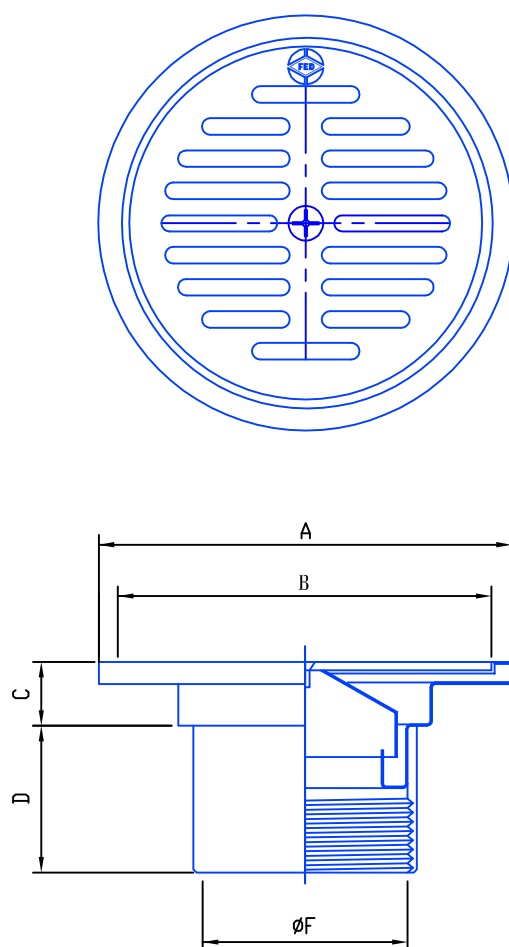
STAINLESS STEEL FLOOR DRAIN ROUND FACE

MODEL : FD-SUS103

NORMINAL PIPE SIZE		DIMENSIONS (MM.)				
(inch)	(A)	A	B	C	D	ØF
2"	50A	100	90	15	15	2"



FED ENTERPRISE CO.,LTD. www.fedinter.com



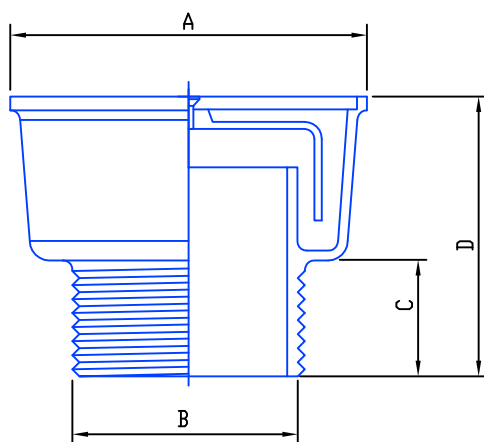
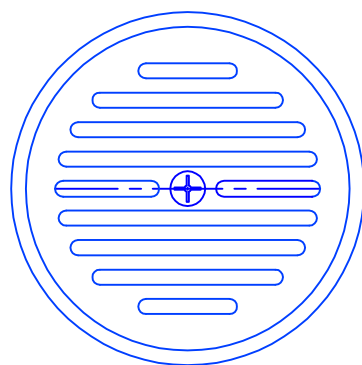
STAINLESS STEEL FLOOR DRAIN ROUND FACE

MODEL : FD-SUS103S

NORMINAL PIPE SIZE		DIMENSIONS (MM.)				
(inch)	(A)	A	B	C	D	ØF
2"	50A	100	90	15	50	2"



FED ENTERPRISE CO.,LTD. www.fedinter.com



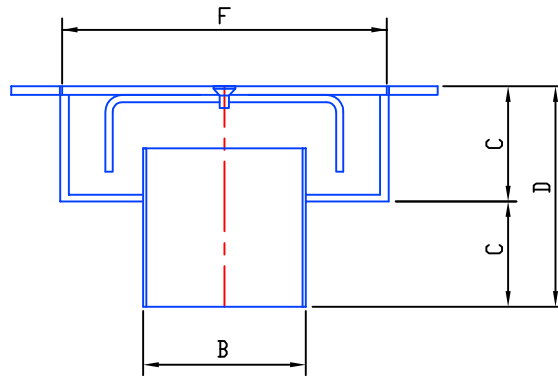
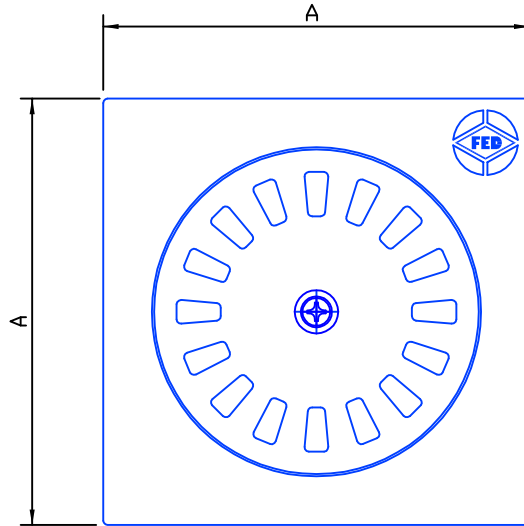
MINI FLOOR DRAIN BRASS CHROME

MODEL : FD-MINI-BELL

NORMINAL PIPE SIZE		DIMENSIONS (MM.)		
B	(A)	A	C	D
1 1/2"	40A	72	16	15
2"	50A	86	18	15



FED ENTERPRISE CO.,LTD. www.fedinter.com



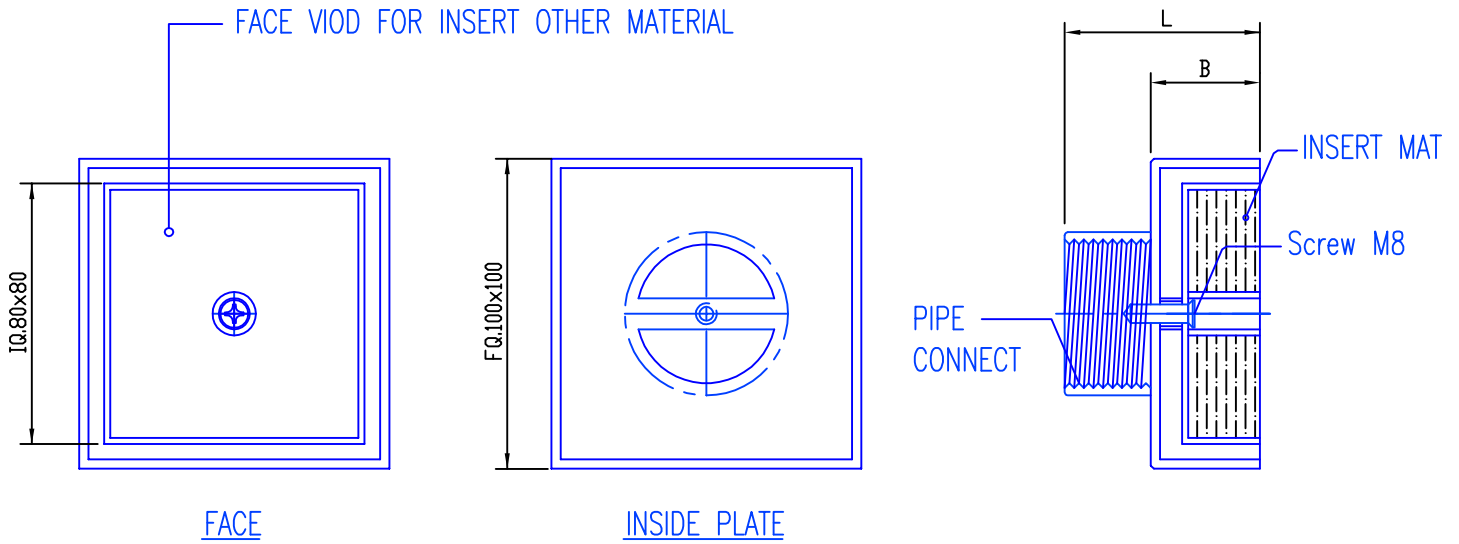
SUS. HI-END FLOOR DRAIN WITH TRAP

MODEL : SUS.HI END

NORMINAL PIPE SIZE		DIMENSIONS (MM.)			
B	(A)	A	C	D	F
1 1/2"	40A	100	25	50	76
2"	50A	100	25	50	76



FED ENTERPRISE CO.,LTD. www.fedinter.com



VTR. Air Vent Cap, SUS304

FOR : Inatall on wall vent pipe sanitary system

MODEL : VTR-SUS

NORMINAL PIPE SIZE		DIMENSIONS (MM.)			
(inch)	(A)	IQ	FQ	B	L
2"	50A	80x80	100x100	35	60
3"	80A	80x80	100x100	35	60



FED ENTERPRISE CO.,LTD. www.fedinter.com